



DBP 60 PRO 60cm Pyramidal Decorative Hood with 3+1 speeds



LED

DESCRIPTION

60cm Pyramidal Decorative Hood with 3+1 speeds

LIFE STYLE

Easy

COLOURS



REFERENCE

REF. 40460509
EAN. 8421152133705



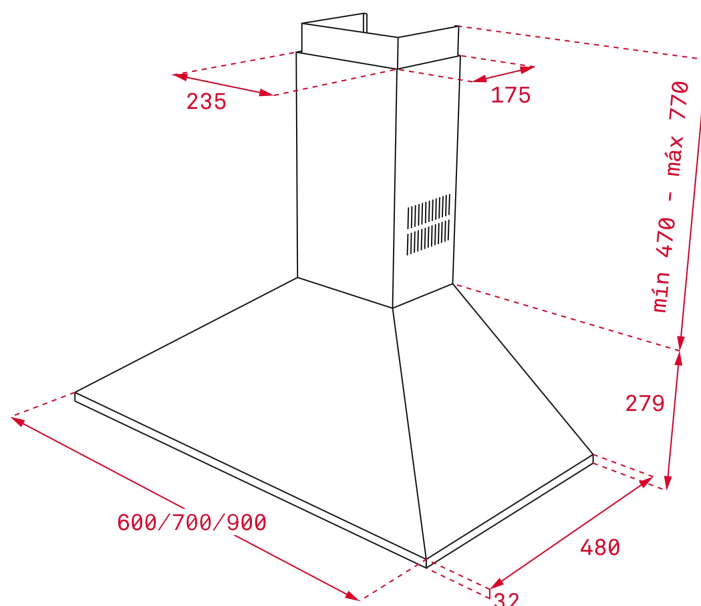
DBP 60 PRO

FEATURES

Pyramidal decorative hood
Push buttons control panel
Operating Pilot Light
Conventional aspiration
3 speeds + 1 intensive
Exhaust capacities:
Free Outlet (m³/h): 650
Max. (m³/h): 613
Min. (m³/h): 318
Noise (LwA) Max Speed 68 dB
Noise (LwA) Min Speed 55 dB
Integrated halogen lamps
2 stainless Steel-aluminum filters

DIMENSIONS

Product height (mm): 749-1049
Product width (mm): 600
Product depth (mm): 480
Product length (mm):
Net weight (Kg): 7,4



TECH SPECS

PARTICULAR CHARACTERISTICS

Type of hood: Pyramidal
Style: Decoratives
Certificates: CE; CB; Rohs
Ø Outlet (mm): 150
Type of inner light: LED
Inside light Consumption (W): 5
Plug type: European plug
Power rate (V): 220/240
Frequency (Hz): 50/60
Total hood power (W): 190
Number of motors: 1
Motor power (W): 180
Exhaust Capacity - Free Outlet (m³/h): 650

**EU REGULATION NO. 65/2014
&66/2104**

Annual energy consumption AEC kWh/annum (kWh): 104,2
Energy Efficiency Class: D
Fluid Dynamic Efficiency (FDEhood): 12,9
Fluid Dynamic Efficiency class: E
Light Efficiency (Lehood) lux/Watt: 5,9
Lighting Efficiency class: F

Grease Filtering Efficiency class: C
Air flow (Qmin) m³/h: 318
Air flow (Qmax): 613
Air flow (Qboost): 0
Noise (LwA) Min Speed (dB): 55
Noise (LwA) Max Speed (dB): 68
Noise (LwA) boost speed (dB): 0
Off mode Power (Po) W: 0,00
Standby Power (Ps) W: 0,00
Energy Efficiency Index (EEI): 88,2
Time increase factor: 1,5
Electric power input at best efficiency point (Wbep) W: 177,0
Nominal power of the lighting system (WL) W: 10
Average illumination of the lighting system on the cooking surface (Emiddle) Lux: 59

ACCESSORIES

Anti Return valve: Yes
Outlet reduction: Yes
Optional Charcoal Filter: D4C
Charcoal filter description: CHARCOAL FILTER D4C
Conventional recirculation kit (with tube cover): 40490146

MODELS

Number of filters: 2
Filter description: Stainless Steel filters
Control panel: Rectangular Push Buttons
Number of speeds: 4

PRODUCT INFORMATION SHEET - DELEGATED REGULATION (EU) 65/2014

Supplier name or trademark: TEKA
Model identifier: DBP 60 PRO
Annual Energy Consumption: 104,2
Energy Efficiency Class: D
Fluid Dynamic Efficiency: 12,9
Fluid Dynamic Efficiency class: E
Lighting Efficiency: 5,9
Lighting Efficiency class: F
Grease Filtering Efficiency class: C
Air flow (min speed normal use): 318
Air flow (max speed normal use): 613
Air flow (intensive or boost use): 0
Airborne acoustical A-weighted sound power emissions (min speed normal use): 55
Power consumption in off mode (W): 0,00
Power consumption in standby mode (W): 0,00



DBP 60 PRO

ENERGY LABEL

