



TL 6420 60cm Pull-out Hood with doble motor turbine and 3 speeds



LED

DESCRIPTION

60cm Pull-out Hood with doble motor turbine and 3 speeds

LIFE STYLE

Easy

COLOURS

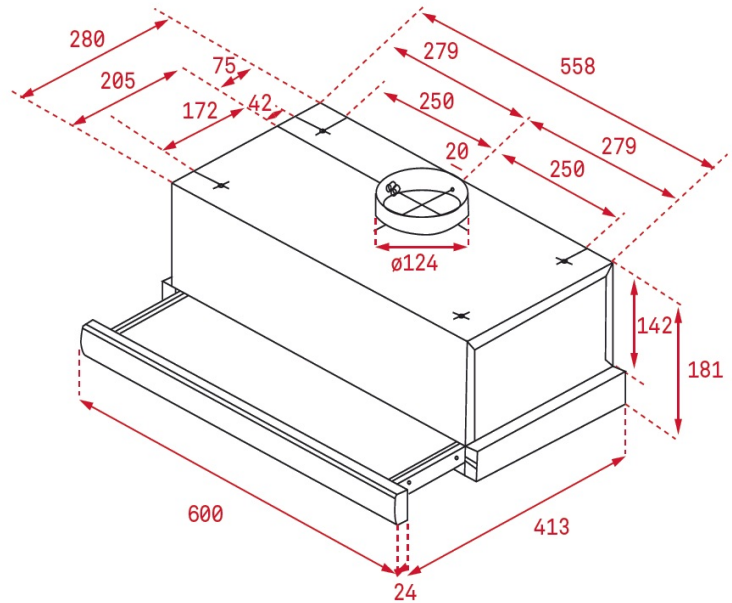


REFERENCE

REF. 40474261
EAN. 8421152146026

FEATURES

Pull-out hood
Mechanical control panel
3 speeds
Exhaust capacities:
Free Outlet, m³/h: 390
Max., m³/h: 354
Min., m³/h: 177
Noise (LwA) Max Speed, dB: 69
Noise (LwA) Min Speed, dB: 55
2 Integrated LED lamps
2 aluminium filters
Automatic Lighting
Exchangeable Front Panel



DIMENSIONS

Product height (mm): 184

Product width (mm): 600

Product depth (mm): 280/413

Product length (mm):

Net weight (Kg): 7,92

TECH SPECS

PARTICULAR CHARACTERISTICS

Type of hood: Pull-out

Style: Integrated

Certificates: CE; CB; Rohs

Ø Outlet (mm): 120

Type of inner light: LED

Inside light Consumption (W): 6

Plug type: European plug

Power rate (V): 220240

Frequency (Hz): 5060

Total hood power (W): 192

Number of motors: 1

Motor power (W): 180

Exhaust Capacity - Free Outlet (m3/h): 390

EU REGULATION NO. 65/2014
&66/2104

Annual energy consumption AEC kWh/annum (kWh): 100,0

Energy Efficiency Class: D

Fluid Dynamic Efficiency (FDEhood): 9,0

Fluid Dynamic Efficiency class: E

Light Efficiency (Lehood) lux/Watt: 4,9

Lighting Efficiency class: F
Grease Filtering Efficiency class: D
Air flow (Qmin) m3/h: 181
Air flow (Qmax): 350
Noise (LwA) Min Speed (dB): 55
Noise (LwA) Max Speed (dB): 69
Energy Efficiency Index (EEI): 97,3
Time increase factor: 1,7
Electric power input at best efficiency point (Wbep) W: 147,0
Nominal power of the lighting system (WL) W: 12
Average illumination of the lighting system on the cooking surface (Emiddle) Lux: 59

ACCESSORIES

Anti Return valve: Yes
Outlet extension: yes
Optional Charcoal Filter: C1C
Charcoal filter description: CHARCOAL FILTER C1C

MODELS

Number of filters: 2
Filter description: Aluminum
Control panel: Mechanical
Number of speeds: 3

PRODUCT INFORMATION SHEET - DELEGATED REGULATION (EU) 65/2014

Supplier name or trademark: TEKA
Model identifier: TL 6420
Annual Energy Consumption: 100,0
Energy Efficiency Class: D
Fluid Dynamic Efficiency: 9,0
Fluid Dynamic Efficiency class: E
Lighting Efficiency: 4,9
Lighting Efficiency class: F
Grease Filtering Efficiency class: D
Air flow (min speed normal use): 181
Air flow (max speed normal use): 350
Air flow (intensive or boost use): n.a
Airborne acoustical A-weighted sound power emissions (min speed normal use): 55
Airborne acoustical A-weighted sound power emissions (max speed normal use): 69
Power consumption in off mode (W): n.a
Power consumption in standby mode (W): n.a



TL 6420

ENERGY LABEL

