



TL1 52 50cm Pull-out Hood with doble motor turbine and 2 speeds



LED

DESCRIPTION

50cm Pull-out Hood with doble motor turbine and 2 speeds

LIFE STYLE

Easy

COLOURS

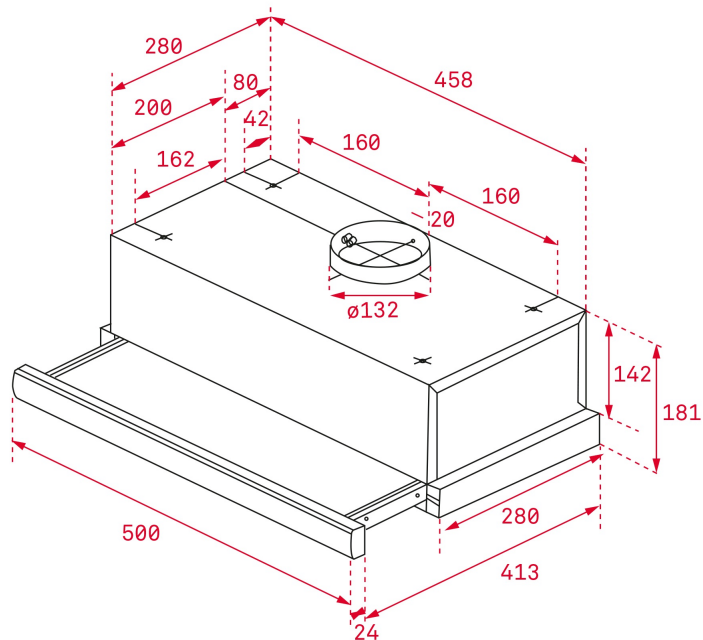


REFERENCE

REF. 40474400
EAN. 8421152131336

FEATURES

Pull-out hood
Switch control panel
Conventional aspiration
2 speeds
Exhaust capacities:
Free Outlet (m³/h): 366
Max. (m³/h): 332
Min. (m³/h): 233
Noise (LwA) Max Speed 65 dB
Noise (LwA) Min Speed 56 dB
Integrated LED lamps
2 aluminium filters
Exchangeable front panel



DIMENSIONS

Product height (mm): 181
Product width (mm): 500
Product depth (mm): 413
Product length (mm):
Net weight (Kg): 5,7

TECH SPECS

PARTICULAR CHARACTERISTICS

Type of hood: Pull-out
Style: Integrated
Certificates: CE; CB; Rohs
Ø Outlet (mm): 120
Type of inner light: LED
Inside light Consumption (W): 6
Plug type: European plug
Power rate (V): 220240
Frequency (Hz): 5060
Total hood power (W): 142
Number of motors: 1
Motor power (W): 130
Exhaust Capacity - Free Outlet (m³/h): 366

**EU REGULATION NO. 65/2014
&66/2104**

Annual energy consumption AEC kWh/annum (kWh): 71,2
Energy Efficiency Class: D
Fluid Dynamic Efficiency (FDEhood): 10,9
Fluid Dynamic Efficiency class: E
Light Efficiency (Lehood) lux/Watt: 5,3
Lighting Efficiency class: F

Grease Filtering Efficiency class: D
Air flow (Qmin) m3/h: 239
Air flow (Qmax): 339
Air flow (Qboost): 0
Noise (LwA) Min Speed (dB): 56
Noise (LwA) Max Speed (dB): 65
Noise (LwA) boost speed (dB): 0
Off mode Power (Po) W: 0,00
Standby Power (Ps) W: 0,00
Energy Efficiency Index (EEI): 88,1
Time increase factor: 1,6
Electric power input at best efficiency point (Wbep) W: 107,0
Nominal power of the lighting system (WL) W: 12
Average illumination of the lighting system on the cooking surface (Emiddle) Lux: 64

ACCESSORIES

Anti Return valve: Yes
Outlet extension: yes
Optional Charcoal Filter: C3C
Charcoal filter description: CHARCOAL FILTER C3C

MODELS

Number of filters: 2
Filter description: Aluminum
Control panel: Mechanical
Number of speeds: 2

PRODUCT INFORMATION SHEET - DELEGATED REGULATION (EU) 65/2014

Supplier name or trademark: TEKA
Model identifier: TL1 52
Annual Energy Consumption: 71,2
Energy Efficiency Class: D
Fluid Dynamic Efficiency: 10,9
Fluid Dynamic Efficiency class: E
Lighting Efficiency: 5,3
Lighting Efficiency class: F
Grease Filtering Efficiency class: D
Air flow (min speed normal use): 239
Air flow (max speed normal use): 339
Air flow (intensive or boost use): 0
Airborne acoustical A-weighted sound power emissions (min speed normal use): 56
Power consumption in off mode (W): 0,00
Power consumption in standby mode (W): 0,00



TL1 52

ENERGY LABEL

