



DM 775 70cm A Pyramidal Decorative Hood with ECOPOWER motor



LED

DESCRIPTION

70cm A Pyramidal Decorative Hood with ECOPOWER motor

LIFE STYLE

Easy

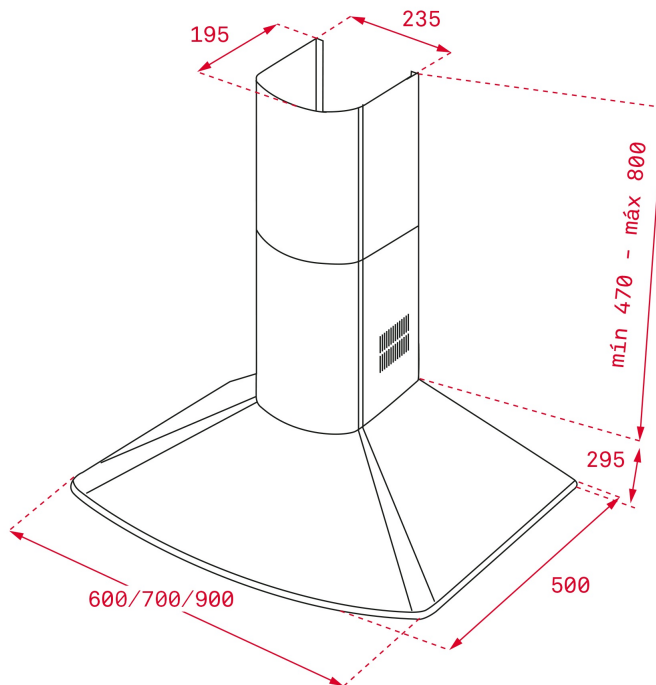
COLOURS

REFERENCE

REF. 40476231
EAN. 8421152130766

FEATURES

Pyramidal decorative hood
Energy Efficiency class: A
Push buttons Control Panel
Operating Pilot Light
3 speeds + 1 intensive
Exhaust capacities:
Free Outlet, m³/h: 650
Max., m³/h: 603
Min., m³/h: 283
Noise (LwA) Max Speed, dB: 67
Noise (LwA) Min Speed, dB: 53
2 LED lamps
3/2 Stainless Steel filters



DIMENSIONS

Product height (mm): 735
 1095
Product width (mm): 700
Product depth (mm): 500
Product length (mm):
Net weight (Kg): 11,53

TECH SPECS

PARTICULAR CHARACTERISTICS

Type of hood: Pyramidal
Style: Decoratives
Certificates: CE; CB; Rohs
Ø Outlet (mm): 150
Type of inner light: LED
Inside light Consumption (W): 5
Plug type: W/O
Power rate (V): 220240
Frequency (Hz): 50
Total hood power (W): 280
Number of motors: 1
Motor power (W): 270
Exhaust Capacity - Free Outlet (m3/h): 650

**EU REGULATION NO. 65/2014
 &66/2104**

Annual energy consumption AEC kWh/annum (kWh): 43,6
Energy Efficiency Class: A
Fluid Dynamic Efficiency (FDEhood): 30,5
Fluid Dynamic Efficiency class: A
Light Efficiency (Lehood) lux/Watt: 9,4
Lighting Efficiency class: E

Grease Filtering Efficiency class: C
Air flow (Qmin) m3/h: 283
Air flow (Qmax): 603
Air flow (Qboost): 0
Noise (LwA) Min Speed (dB): 53
Noise (LwA) Max Speed (dB): 67
Noise (LwA) boost speed (dB): 0
Off mode Power (Po) W: 0,00
Standby Power (Ps) W: 0,00
Energy Efficiency Index (EEI): 53,5
Time increase factor: 0,9
Electric power input at best efficiency point (Wbep) W: 110,4
Nominal power of the lighting system (WL) W: 10
Average illumination of the lighting system on the cooking surface (Emiddle) Lux: 59

ACCESSORIES

Anti Return valve: Yes
Outlet reduction: Yes
Optional Charcoal Filter: D4C
Charcoal filter description: CHARCOAL FILTER D4C
Conventional recirculation kit (with tube cover): 40490146

MODELS

Number of filters: 2
Filter description: Stainless Steel filters
Control panel: Push buttons
Number of speeds: 4

PRODUCT INFORMATION SHEET - DELEGATED REGULATION (EU) 65/2014

Supplier name or trademark: TEKA
Model identifier: DM 775
Annual Energy Consumption: 43,6
Energy Efficiency Class: A
Fluid Dynamic Efficiency: 30,5
Fluid Dynamic Efficiency class: A
Lighting Efficiency: 9,4
Lighting Efficiency class: E
Grease Filtering Efficiency:
Grease Filtering Efficiency class: C
Air flow (min speed normal use): 283
Air flow (max speed normal use): 603
Air flow (intensive or boost use): 0
Airborne acoustical A-weighted sound power emissions (min speed normal use): 53
Airborne acoustical A-weighted sound power emissions (max speed normal use):
Airborne acoustical A-weighted sound power emissions (intensive or boost use):
Power consumption in off mode (W): 0,00
Power consumption in standby mode (W): 0,00



DM 775

ENERGY LABEL

