



**DM 975** 90cm A Pyramidal Decorative Hood with ECOPOWER motor



LED

**DESCRIPTION**

90cm A Pyramidal Decorative Hood with ECOPOWER motor

**LIFE STYLE**

Easy

**COLOURS**

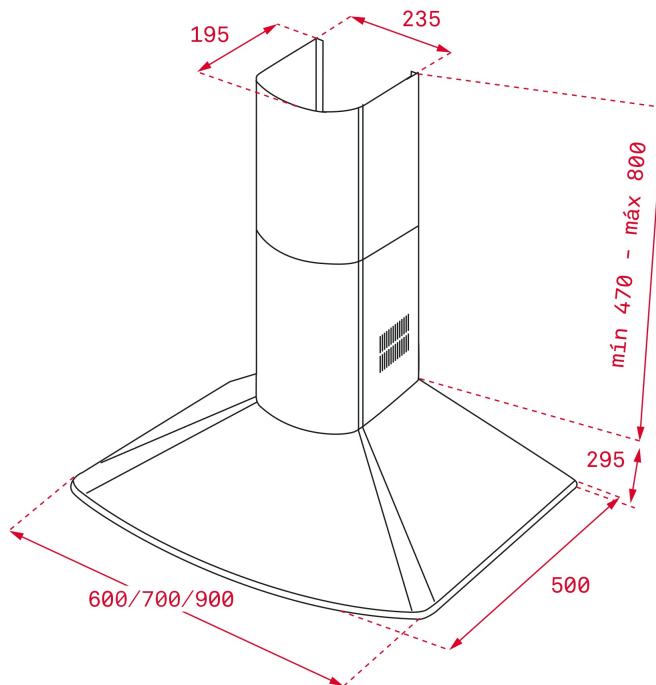


**REFERENCE**

REF. 40476232  
EAN. 8421152130780

**FEATURES**

Pyramidal decorative hood  
Energy Efficiency class: A  
Push buttons Control Panel  
Operating Pilot Light  
3 speeds + 1 intensive  
Exhaust capacities:  
Free Outlet, m<sup>3</sup>/h: 650  
Max., m<sup>3</sup>/h: 603  
Min., m<sup>3</sup>/h: 283  
Noise (LwA) Max Speed, dB: 67  
Noise (LwA) Min Speed, dB: 53  
2 LED lamps  
3/2 Stainless Steel filters



## DIMENSIONS

**Product height (mm):** 735-1095

**Product width (mm):** 900

**Product depth (mm):** 500

**Product length (mm):**

**Net weight (Kg):** 12,82

## TECH SPECS

### PARTICULAR CHARACTERISTICS

**Type of hood:** Pyramidal

**Style:** Decoratives

**Certificates:** CE; CB; Rohs

**Ø Outlet (mm):** 150

**Type of inner light:** LED

**Inside light Consumption (W):** 5

**Plug type:** W/O

**Power rate (V):** 220240

**Frequency (Hz):** 50

**Total hood power (W):** 280

**Number of motors:** 1

**Motor power (W):** 270

**Exhaust Capacity - Free Outlet (m3/h):** 650

**EU REGULATION NO. 65/2014  
&66/2104**

**Annual energy consumption AEC kWh/annum (kWh):** 43,6

**Energy Efficiency Class:** A

**Fluid Dynamic Efficiency (FDEhood):** 30,5

**Fluid Dynamic Efficiency class:** A

**Light Efficiency (Lehood) lux/Watt:** 9,4

**Lighting Efficiency class:** E

**Grease Filtering Efficiency class:** C  
**Air flow (Qmin) m3/h:** 283  
**Air flow (Qmax):** 603  
**Air flow (Qboost):** 0  
**Noise (LwA) Min Speed (dB):** 53  
**Noise (LwA) Max Speed (dB):** 67  
**Noise (LwA) boost speed (dB):** 0  
**Off mode Power (Po) W:** 0,00  
**Standby Power (Ps) W:** 0,00  
**Energy Efficiency Index (EEI):** 53,5  
**Time increase factor:** 0,9  
**Electric power input at best efficiency point (Wbep) W:** 110,4  
**Nominal power of the lighting system (WL) W:** 10  
**Average illumination of the lighting system on the cooking surface (Emiddle) Lux:** 59

## ACCESSORIES

**Anti Return valve:** Yes  
**Outlet reduction:** Yes  
**Optional Charcoal Filter:** D4C  
**Charcoal filter description:** CHARCOAL FILTER D4C  
**Conventional recirculation kit (with tube cover):** 40490146

## MODELS

**Number of filters:** 3  
**Filter description:** Stainless Steel filters  
**Control panel:** Push buttons  
**Number of speeds:** 4

## PRODUCT INFORMATION SHEET - DELEGATED REGULATION (EU) 65/2014

**Supplier name or trademark:** TEKA  
**Model identifier:** DM 975  
**Annual Energy Consumption:** 43,6  
**Energy Efficiency Class:** A  
**Fluid Dynamic Efficiency:** 30,5  
**Fluid Dynamic Efficiency class:** A  
**Lighting Efficiency:** 9,4  
**Lighting Efficiency class:** E  
**Grease Filtering Efficiency class:** C  
**Air flow (min speed normal use):** 283  
**Air flow (max speed normal use):** 603  
**Air flow (intensive or boost use):** 0  
**Airborne acoustical A-weighted sound power emissions (min speed normal use):** 53  
**Power consumption in off mode (W):** 0,00  
**Power consumption in standby mode (W):** 0,00



DM 975

ENERGY LABEL

