



DHI 90 Built-in/Free Installation Decorative Hood with double turbine



LED



Stop Delay
Timer

DESCRIPTION

Built-in/Free Installation Decorative Hood with double turbine

LIFE STYLE

Maestro

COLOURS



REFERENCE

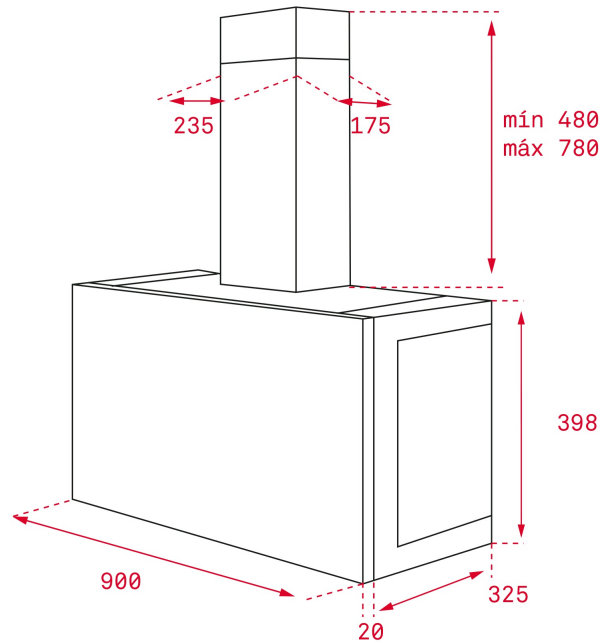
REF. 40487400
EAN. 8421152098363

FEATURES

Built in/free installation decorative hood
Backlit Electronic control panel
Conventional aspiration
3 speeds
Exhaust capacities:
Free Outlet (m³/h): 850
Max. (m³/h): 650
Min. (m³/h): 295
Noise (LwA) Max Speed 57 dB
Noise (LwA) Min Speed 48 dB
LED illumination
2 Stainless steel aluminium filters
Stop delay timer
Easy-clean inside panel

DIMENSIONS

Product height (mm): 445
Product width (mm): 900
Product depth (mm): 345
Product length (mm):
Net weight (Kg): 16



TECH SPECS

PARTICULAR CHARACTERISTICS

Type of hood: Integrated
Style: Integrated
Certificates: CE; CB; Rohs
Ø Outlet (mm): 150
Type of inner light: LED
Inside light Consumption (W): 3
Plug type: European plug
Power rate (V): 220/240
Frequency (Hz): 50/60
Total hood power (W): 239
Number of motors: 1
Motor power (W): 230
Exhaust Capacity - Free Outlet (m³/h): 850

**EU REGULATION NO. 65/2014
&66/2104**

Annual energy consumption AEC kWh/annum (kWh): 130,2
Energy Efficiency Class: D
Fluid Dynamic Efficiency (FDEhood): 13,7
Fluid Dynamic Efficiency class: D
Light Efficiency (Lehood) lux/Watt: 75,0
Lighting Efficiency class: A

Grease Filtering Efficiency class: C
Air flow (Qmin) m3/h: 295
Air flow (Qmax): 400
Air flow (Qboost): 650
Noise (LwA) Min Speed (dB): 48
Noise (LwA) Max Speed (dB): 57
Noise (LwA) boost speed (dB): 68
Off mode Power (Po) W: 0,00
Standby Power (Ps) W: 0,95
Energy Efficiency Index (EEI): 90,2
Time increase factor: 1,5
Electric power input at best efficiency point (Wbep) W: 225,8
Nominal power of the lighting system (WL) W: 9
Average illumination of the lighting system on the cooking surface (Emiddle) Lux: 675

ACCESSORIES

Anti Return valve: Yes
Outlet reduction: Yes
Optional Charcoal Filter: D4C
Charcoal filter description: CHARCOAL FILTER D4C (Included)
Integration Frontal panel Code: 40490400
Conventional recirculation kit (with tube cover): 40490144

MODELS

Number of filters: 2
Filter description: Stainless Steel filters
Control panel: Backlit Electronic
Stop delay timer: Yes
Easy-clean inside panel: Yes
Number of speeds: 3+1

PRODUCT INFORMATION SHEET - DELEGATED REGULATION (EU) 65/2014

Supplier name or trademark: TEKA
Model identifier: DHI 90
Annual Energy Consumption: 130,2
Energy Efficiency Class: D
Fluid Dynamic Efficiency: 13,7
Fluid Dynamic Efficiency class: D
Lighting Efficiency: 75,0
Lighting Efficiency class: A
Grease Filtering Efficiency class: C
Air flow (min speed normal use): 295
Air flow (max speed normal use): 400
Air flow (intensive or boost use): 650
Airborne acoustical A-weighted sound power emissions (min speed normal use): 48
Airborne acoustical A-weighted sound power emissions (max speed normal use): 57
Airborne acoustical A-weighted sound power emissions (intensive or boost use): 68
Power consumption in off mode (W): 0,00
Power consumption in standby mode (W): 0,95



DHI 90

ENERGY LABEL

The image shows a standard European energy label for a TEKA DHI-90 PANELABLE VR01. The label is rectangular with a blue border and contains the following information:

- Top Left:** European Union flag and the word "ENERG" in large letters, with "енергия · енергетика" below it. To the right are four small circles containing the letters Y, IA, IE, and IA.
- Model Name:** "DHI-90" and "PANELABLE VR01" are printed below the header.
- Brand:** "TEKA" is printed on the left side.
- Energy Efficiency Scale:** A vertical bar on the left shows seven energy efficiency classes from A (green) to G (red). A black arrow points to class "D", which is highlighted in a black box.
- Annual Energy Consumption:** A box on the right contains the number "130" and the unit "kWh/annum" below it.
- Icons and Labels:** At the bottom, there are four icons in boxes: a fan, a lightbulb, water droplets, and a speaker. Below each icon is a label: "ABCDEFG" (with 'D' bolded), "ABCDEFG" (with 'A' bolded), "ABCDEFG" (with 'C' bolded), and "57dB".
- Bottom Left:** The text "65/2014" is printed.