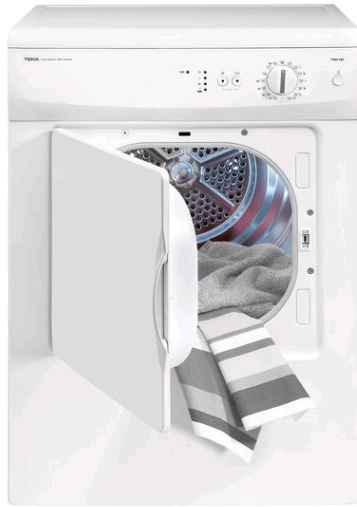




## TKS2 650 7kg Free Standing Dryer with humidity control



Quick Cycle



Washing  
capacity: 7Kg

### DESCRIPTION

7kg Free Standing Dryer with humidity control

### LIFE STYLE

Easy

### COLOURS



### REFERENCE

REF. 40851110  
EAN. 8421152087329

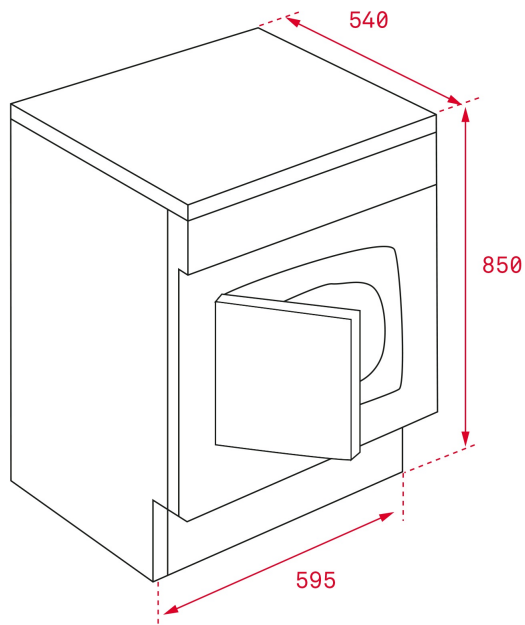


**TEKA**

**TKS2 650**

**FEATURES**

Free standing dryer  
Vented dryer  
15 programmes  
Drying capacity : 7 kg  
Electronic control panel  
Humidity sensor  
Easy ironing program  
Delicate clothing program clothing program  
Drying time selector  
Bi-directional rotation  
Removable filter with saturation level indicator  
Energy Class : C



## DIMENSIONS

**Product height (mm):** 850  
**Product width (mm):** 595  
**Product depth (mm):** 540  
**Product length (mm):**  
**Net weight (Kg):** 31

## TECH SPECS

### PRODUCT SHEET

**Type of load:** Front  
**Type of installation:** Free standing  
**Drying capacity (Kgs):** 7  
**Energy Efficiency Class:** C  
**Certificates:** CE, VDE

### POWER SUPPLY

**Frequency (Hz):** 50  
**Power rate (V):** 230  
**Maximum Nominal Power (W):** 2200  
**Nominal power motor (W):** 230  
**Power of heating element (W):** 2000

### PARTICULAR CHARACTERISTICS

**Number of programs:** 15  
**Control panel:** LED  
**Electronic washing management:** Yes  
**Bidirectional rotation:** Yes  
**Reversible door:** Yes

## **SPECIAL FUNCTIONS**

**Fast program:** Yes

**Fast program (minutes):** 10,20,40,60

**Delicate fabrics:** Yes

**Easy ironing/anti crease:** Yes

## **EQUIPMENT**

**Adjustable feet front:** Yes



TKS2 650

ENERGY LABEL

The energy label for the TEKA TKS2 650 washing machine is a vertical rectangular sticker. At the top left is the European Union flag. To its right, the word "ENERGY" is written in large blue letters, with "енергия" (energy) in Cyrillic and "енерџија" (energy) in Latin script below it. Further right are two circular icons: one with "Y IJA" and another with "IE IA". Below this header is the TEKA logo and the model number "TKS2 650". The central part of the label features a vertical scale of energy efficiency classes from A+++ (top, green) to D (bottom, red). A black arrow points to the class "C". Below the scale, the energy consumption is listed as "514 kWh/annum". At the bottom, three icons represent cycle time (130 min/cycle), load capacity (7,0 kg), and noise level (66 dB). Small text at the very bottom provides translations for the cycle time and load capacity in various languages.

Class	Energy Consumption (kWh/annum)	Cycle Time (min/cycle)	Load Capacity (kg)	Noise Level (dB)
A+++				
A++				
A+				
A				
B				
C	514	130	7,0	66
D				

ENERGIA - ЕНЕРГИЈА - ENERTEIJA  
ENERGIJA - ENERGY - ENERGIE  
ENERGI

130 min/cycle\*

7,0 kg

66 dB

\*urena - cyklus - partion - syklu - nprerpuasa - ciclo - tsükkel - ohjelma - ciklus - ciklas - ciklo - ciklo - cyclus - cykl - ciclo - program - tortkomäng

392/2012