



**TKS1 600** 7kg Free Standing Dryer with automatic ventilation program



7  
Kg

Washing  
capacity: 7Kg

**DESCRIPTION**

7kg Free Standing Dryer with automatic ventilation program

**LIFE STYLE**

Easy

**COLOURS**



**REFERENCE**

REF. 40851210  
EAN. 8421152088104

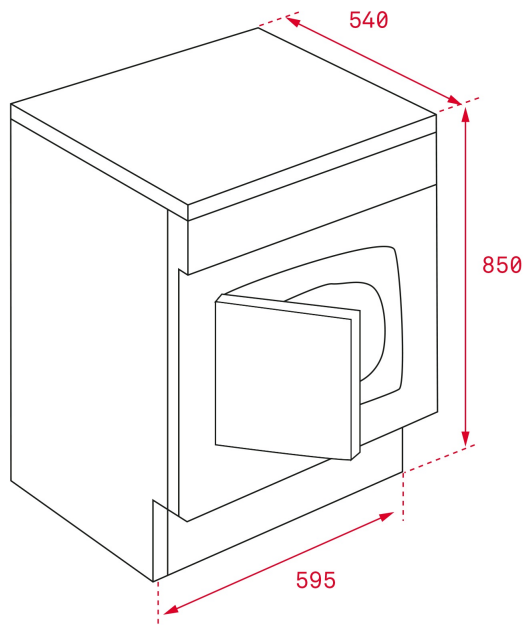


**TEKA**

**TKS1 600**

**FEATURES**

Free standing dryer  
Vented dryer  
8 programs  
Drying capacity: 7 Kg  
Electronic control panel  
Easy ironing / Anti-crease program  
Delicate clothing program clothing program  
Bi- direction rotation  
Removable filter with light indicator  
Automatic ventilation program  
Energy class: C



## DIMENSIONS

**Product height (mm):** 850

**Product width (mm):** 595

**Product depth (mm):** 540

**Product length (mm):**

**Net weight (Kg):** 30

## TECH SPECS

### PRODUCT SHEET

**Type of load:** FRONT

**Type of installation:** Free standing

**Drying capacity (Kgs):** 7

**Certificates:** CE, VDE

### POWER SUPPLY

**Frequency (Hz):** 50

**Power rate (V):** 230

**Maximum Nominal Power (W):** 2200

**Nominal power motor (W):** 230

**Power of heating element (W):** 2000

### PARTICULAR CHARACTERISITICS

**Number of programs:** 8

**Control panel:** PL 2-H LED

**Bidirectional rotation:** Yes

**Reversible door:** Yes

### CONTROL INDICATOR LIGHTS

**Dryer timer:** Yes

## SPECIAL FUNCTIONS

## EQUIPMENT

## PRODUCT INFORMATION SHEET (UE) 2019/2014

**Easy ironing/anti crease:** Yes

**Adjustable feet front:** Yes

### General product parameters

**Dimensions (cm)**

**Consumption and efficiency**

**Maximum temperature inside the treated textile (a) (°C)**

**Remaining moisture content (a) (%)**

**Spin speed (a) (rpm)**

**Eco 40-60 programme duration (a) (h:min)**

**Other**

### Additional information:

Weblink to the supplier's website, where the information in point 9 of Annex II to Commission Regulation (EU) 2019/2023 (1) (b) is found:

(a) for the eco 40-60 programme.

(b) changes to these items shall not be considered relevant for the purposes of paragraph 4 of Article 4 of Regulation (EU) 2017/1369.

(c) if the product database automatically generates the definitive content of this cell the supplier shall not enter these data.

### Additional information:

(c) where appropriate, the references of the harmonised standards applied;

(d) where appropriate, the other technical standards and specifications used;

(e) the details and the results of calculations performed in accordance with Annex IV;

(f) a list of all equivalent models including the model identifier.

## TECHNICAL DOCUMENTATION (UE) 2019/2014



TKS1 600

ENERGY LABEL

The energy label for the TEKA TKS1 600 washing machine is a vertical rectangular sticker. At the top left is the European Union flag. To its right, the word "ENERGY" is written in large blue letters, with "енергия" (energy) in Cyrillic and "енерџија" (energy) in Latin script below it. Further right are two circular icons: one with "Y IJA" and another with "IE IA". Below this header is the TEKA logo and the model number "TKS1 600". The central part of the label features a vertical energy scale from A+++ (top, green) to D (bottom, red). A black arrow points to the "C" level. Below the scale, the energy consumption is listed as "514 kWh/annum". At the bottom, three icons represent cycle time (130 min/cycle\*), load capacity (7,0 kg), and noise level (66 dB). A small disclaimer at the very bottom reads: "\*umna - cyklus parthen - zyklus nahypovazny ciclo - buickel - objelma ciklus ciklus ciklus - ciklu - cyclus - cykl - ciclu - program - tortkongang".

ENERGIA - ЕНЕРГИЈА - ENERĢIJA  
ENERGUA - ENERGY - ENERGIE  
ENERGI

514 kWh/annum

130 min/cycle\*  
7,0 kg  
66 dB

\*umna - cyklus parthen - zyklus nahypovazny ciclo - buickel - objelma ciklus ciklus ciklus - ciklu - cyclus - cykl - ciclu - program - tortkongang

392/2012