



TKS 850 C 8kg Electronic Condensate Dryer with 4 intensity levels



Quick Cycle



Washing
capacity: 8Kg

DESCRIPTION

8kg Electronic Condensate Dryer with 4 intensity levels

LIFE STYLE

Maestro

COLOURS



REFERENCE

REF. 40854100
EAN. 8421152131718

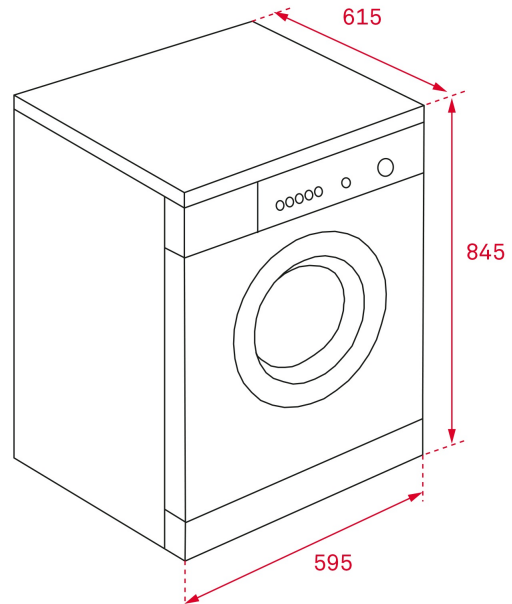


TEKA

TKS 850 C

FEATURES

Free standing dryer
Condenser dryer
16 programs
Drying capacity: 8 Kg
Electronic control panel with display
Delay timer 1-24h
4 Power levels
End of cycle alarm
Speed dry function
Humidity sensor
Anti-crease program
Delicate clothing program clothing program
Cooling program
Bi- direction rotation
Removable filter with saturation level indicator
Energy class: B

TEKA**TKS 850 C**

DIMENSIONS

Product height (mm): 845
Product width (mm): 595
Product depth (mm): 615
Product length (mm):
Net weight (Kg): 42

TECH SPECS

PRODUCT SHEET

Type of load: Front
Type of installation: Free standing
Drying capacity (Kgs): 8
Energy Efficiency Class: B
Condensation efficiency: B
Energy consumption per drying cycle (Full load) (kWh): 4.74
Energy consumption (kWh/year): 561
Duration of drying cycle (Full load) (minutes): 140
Automatic (sensor drying): Yes

POWER SUPPLY

Frequency (Hz): 50
Power rate (V): 220-240
Maximum Nominal Power (W): 2700
Nominal power motor (W): 200
Power of heating element (W): 2500

PARTICULAR CHARACTERISTICS

Glass door diameter (cms): 50
Number of programs: 16
Control panel: Electronic

CONTROL INDICATOR LIGHTS

Electronic washing management: Yes

Child lock: Yes

Bidirectional rotation: Yes

Drum light: Yes

Drum: Zincification steel

Remaining time: Yes

Drying: Yes

Dryer timer: Yes

Full water tank indicator: Yes

SPECIAL FUNCTIONS

Fast program: Yes

Economic program: Yes

Delayed Timer (h): 1-24

EQUIPMENT

Adjustable Feet Back: Yes

Adjustable feet front: Yes



TKS 850 C

ENERGY LABEL

The image shows a standard EU energy label for a TEKA TKS 850 C washing machine. The label is rectangular with a blue border and contains the following information:

- Header:** The European Union flag, the word "ENERGY" in large letters, and the word "енергия" in Cyrillic. To the right are icons for energy classes: Y, UA, IE, IA.
- Brand and Model:** "TEKA" on the left and "TKS 850 C" on the right.
- Energy Efficiency Scale:** A vertical bar on the left shows energy classes from A+++ (green) to D (red). A black arrow points to class "B" on the right side of the bar. A "26mm" dimension line is shown next to the arrow.
- Annual Energy Consumption:** A box on the right contains the value "561 kWh/annum".
- Energy Class Legend:** Below the scale, the word "ENERGIA" is written in multiple languages: ENERGIJA, ENERGIJA, ENERGIJA, ENERGIJA, ENERGIJA, ENERGIJA, ENERGIJA, ENERGIJA, ENERGIJA, ENERGIJA.
- Performance Icons:** Three icons in boxes: a washing machine with a clock (140 min/cycle*), a laundry basket (8,0 kg), and a speaker (69 dB).
- Water Consumption:** An icon of a water tap with "ABCDEFG" below it.
- Footnote:** A small text block explaining the water consumption scale: "уровень - циклус - portion - zykhus, podrobnosti - ciclo - tsokkel, shchitka - ciklus - vilkuz - ciklus, diklu - cyklus - cykl - ciclu, program - torkomping".
- Reference:** "392/2012" at the bottom left.