



# HLB 860 P A+ Pyrolytic Oven with 20 recipes



70L



DualClean



Full Extension  
Telescopic  
Guide



HydroClean



Pyrolysis



SoftClose



SurroundTemp

## DESCRIPTION

A+ Pyrolytic Oven with 20 recipes

## LIFE STYLE

Maestro

## COLOURS

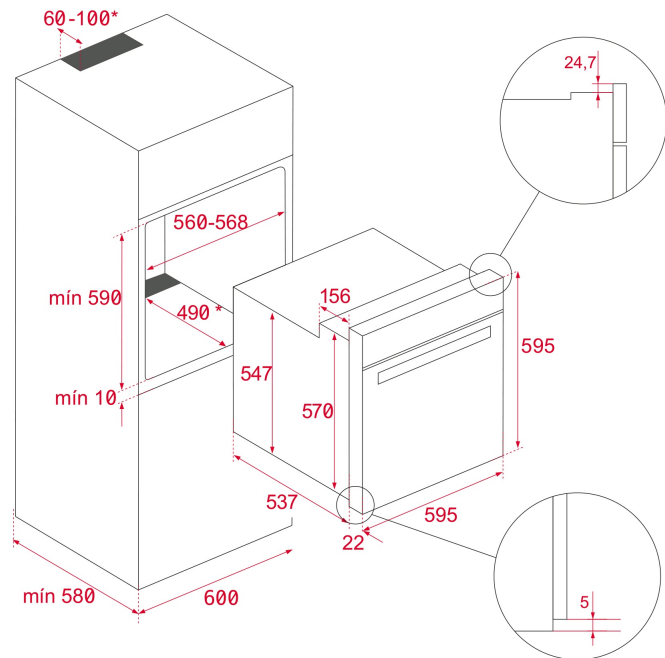


## REFERENCE

REF. 41566020  
EAN. 8421152148822

**FEATURES**

Multifunction SurroundTemp - 12 Cooking functions  
DualClean cleaning system: Pyrolytic self-cleaning (3 levels) + Teka HydroClean® PRO  
A+ Energy class: up to 20% less consumption  
Capacity, gross/net: 71/70 litres  
True colour TFT 4 display with digital timer  
Personal cooking assistant (20 recipes)  
SlowCook function: low temperature cooking  
Automatic temperature and time suggestion for each function  
Quick heating  
Children safety block  
Automatic disconnection security system  
Quadruple glazed door  
SoftClose system  
2 telescopic guides: 1 Full Extension + 1 Plus-Extension, 5 cooking levels  
Deep enamelled tray and reinforced grid  
Tangential ventilation with 2 speeds



## DIMENSIONS

**Product height (mm):** 595

**Product width (mm):** 595

**Product depth (mm):** 537+22

**Product length (mm):**

**Net weight (Kg):** 37

## TECH SPECS

### PARTICULAR CHARACTERISTICS

**Certificates:** N / CE / CCA / CB

**Number of cavities:** 1

**Type of inner light:** Halogen

**Inside light position:** RIGHT TOP CORNER

**Enamelled cavity:** Yes

**Function selector:** ELECTRONIC

**Number of cooking functions:** 12

**Number of recipes:** 20

**Grill function:** Yes

**MaxiGrill function:** Yes

**Bottom function:** Yes

**Turbo function:** Yes

**ECO function:** Yes

**Ferment function:** Yes

**Automatic quick heating:** Yes

**Slow Cook:** Yes

**Knobs type:** MMX FIX ROTATIVE

**Ring illuminated:** Yes

**Removable chromed tray guides:** Yes

**Number of guide levels:** 5

**Full extension telescopic guides:** Yes

**Easy slide telescopic guides:** Yes

**SoftClose:** Yes

## **ELECTRIC CONNECTION**

**Maximum Nominal Power (W):** 3552

**Frequency (Hz):** 50/60

**Power rate (V):** 220-240

**Cable Connection Length (cm):** 150

**Plug:** Yes

**Inside light Consumption (W):** 25

## **ENERGY CONSUMPTION**

**Energy consumption per cycle in conventional mode (kWh):**  
0.87

**Energy consumption per cycle in fan-forced convection mode (kWh):** 0,68

**Bottom Heating Element (W):** 1050

**Bottom Heating Element (W) (lower cavity):** 1050

**Grill (W):** 1400

**Maxi Grill (W):** 2450

**Traditional (W):** 2450

**Turbo (W):** 2000

**Multifunction Turbo (W):** 25

**Cooling Fan Motor (W):** 30

## **SECURITY SYSTEM**

**Automatic disconnection when opening the door:** Yes

**Panel blocking system:** Yes

**Children safety block option:** Yes

**Grill protection:** Yes

**Anti-tip tray system:** Yes

**Safety Thermostat:** Yes

## **CLEANING SYSTEM**

**Crystal Clean Enamel (Slippery):** Yes

**Hydroclean PRO:** Yes

**Pyrolytic:** Yes

**DualClean:** Yes

## **ACCESSORIES**

**Deep Tray (50 mm):** 1

**Steak tray:** 0

**Reinforced grid:** 1

## **ENERGY EFFICIENCY**

**Energy Efficiency Class:** A+

**Energy Efficiency Index (EEI):** 81

## **PRODUCT INFORMATION SHEET - DELEGATED REGULATION (EU) 65/2014**

**Supplier name or trademark:** TEKA

**Model identifier:** HLB 860 P

**Number of cavities:** 1

**Cavity 1**

**Energy Efficiency Index:** 81

**Energy Efficiency Class:** A+

**Energy consumption per cycle (conventional mode):** 0.87

**Energy consumption per cycle (fan-forced convection mode):**  
0,68

**Heat source :** Electric

**Volume:** 71



HLB 860 P

ENERGY LABEL

The energy label for the TEKA HLB 860 P dishwasher features the following information:

- Header:** Includes the European Union flag, the word "ENERG" in large letters, and its Cyrillic equivalent "енергия" below it. To the right are two circular icons: one with "Y" and "A" (Energy Efficiency Class) and another with "IE" and "A" (Water Efficiency Class).
- Brand and Model:** The TEKA logo is on the left, and the model number "HLB 860 P" is centered.
- Energy Scale:** A vertical scale of seven colored bars representing energy efficiency classes: A+++ (dark green), A++ (green), A+ (light green), A (yellow), B (orange), C (red-orange), and D (red). A black arrow points to the A+ class.
- Capacity:** A dishwasher icon with a checkmark and the text "70 L" is shown in a box.
- Energy Consumption:** A square icon with a power symbol and the text "0.88 kWh/cycle\*" is shown in a box.
- Water Consumption:** A square icon with a water drop and the text "0.68 kWh/cycle\*" is shown in a box.
- Footnote:** A small line of text in Cyrillic: "\* циркул - cycle; порцион - portion; зыklus - programme; ciclo - bulket; objelma - ciklus; ciklas cikls ciklu - cycle; cykl - ciklu - program - cykel".
- Regulation:** The number "65/2014" is printed at the bottom left.