



HLC 8471 SC SurroundTemp Compact Steam Multifunction Oven in 45cm with HydroClean system



44L



MeatProbe



HydroClean



SoftClose



SurroundTemp

DESCRIPTION

SurroundTemp Compact Steam Multifunction Oven in 45cm with HydroClean system

LIFE STYLE

Maestro

COLOURS

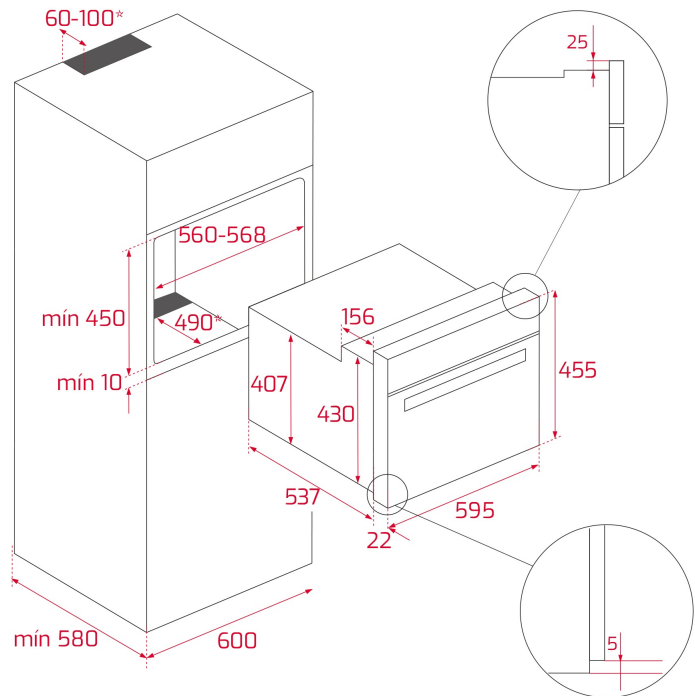


REFERENCE

REF. 111230003
EAN. 8434778003574

FEATURES

Urban Colors Edition
Multifunction + steam oven
HydroClean® PRO auto cleaning system
Multifunction SurroundTemp - 15 cooking functions
Steam cooking 30-100°C
True colour TFT 4 display with digital timer
1 Plus-Extension telescopic guide, 5 cooking levels
Personal cooking assistant (20 pre-programmed recipes)
Automatic temperature and time suggestion for each function
Slow cook function & Automatic fast heating
Sterilization and regeneration functions
MeatProbe
1 litre water tank
Triple glazed door
SoftClose system
Door opening security disconnection
Tangential ventilation
2 Gastronorm with tray, deep tray, stainless steel perforated tray and reinforced grid (with anti-tip system)



DIMENSIONS

Product height (mm): 455
Product width (mm): 595
Product depth (mm): 559
Product length (mm):
Net weight (Kg): 28

TECH SPECS

PARTICULAR CHARACTERISTICS

Certificates: CE/CB / CCC
Type of inner light: Halogen
Inside light position: upper rear right
Enamelled cavity: Yes
Function selector: ELECTRONIC
Number of cooking functions: 15
Number of recipes: 20
Top + Bottom function: Yes
Grill + Bottom function: Yes
Grill function: Yes
MaxiGrill function: Yes
Top + Bottom + Fan function: Yes
Bottom function: Yes
Bottom + TURBO (Pizza) function: Yes
Turbo function: Yes
ECO function: Yes
Automatic quick heating: Yes
Slow Cook: Yes
Knobs type: MMX FIX KNOB
Ring illuminated: Yes
Removable chromed tray guides: Yes
Number of guide levels: 5

ELECTRIC CONNECTION	Number of guide levels (lower cavity): 0 Forced refrigeration tangential 1 speed: Yes SoftClose: Yes
ENERGY CONSUMPTION	Maximum Nominal Power (W): 3000 Frequency (Hz): 50/60 Power rate (V): 220-240 Cable Connection Length (cm): 110 Plug: Yes Inside light Consumption (W): 25
SECURITY SYSTEM	Bottom Heating Element (W): 1150 Grill (W): 1400 Maxi Grill (W): 2500 Traditional (W): 2250 Turbo (W): 1800 Multifunction Turbo (W): 22 Cooling Fan Motor (W): 35
CLEANING SYSTEM	Automatic disconnection when opening the door: Yes Panel blocking system: Yes Children safety block option: Yes Grill protection: Yes Anti-tip tray system: Yes Safety Thermostat: Yes
ACCESSORIES	Fingerprint proof stainless steel: Yes Crystal Clean Enamel (Slippery): Yes Hydroclean PRO: Yes
ENERGY EFFICIENCY	Deep Tray (50 mm): 1 Reinforced grid: 1 Meat Probe: 1
PRODUCT INFORMATION SHEET - DELEGATED REGULATION (EU) 65/2014	Energy Efficiency Class: A+ Supplier name or trademark: TEKA Model identifier: HLC 8471 SC Cavity 1 Energy Efficiency Class: A+ Volume: 45 Cavity 2

