



HLB 8600 A+ Multifunction-Surround Temp. oven with 20 recipes



70 L



Plus Extension
Telescopic
Guide



HydroClean



SoftClose



SurroundTemp

DESCRIPTION

A+ Multifunction-Surround Temp. oven with 20 recipes

LIFE STYLE

Maestro

COLOURS

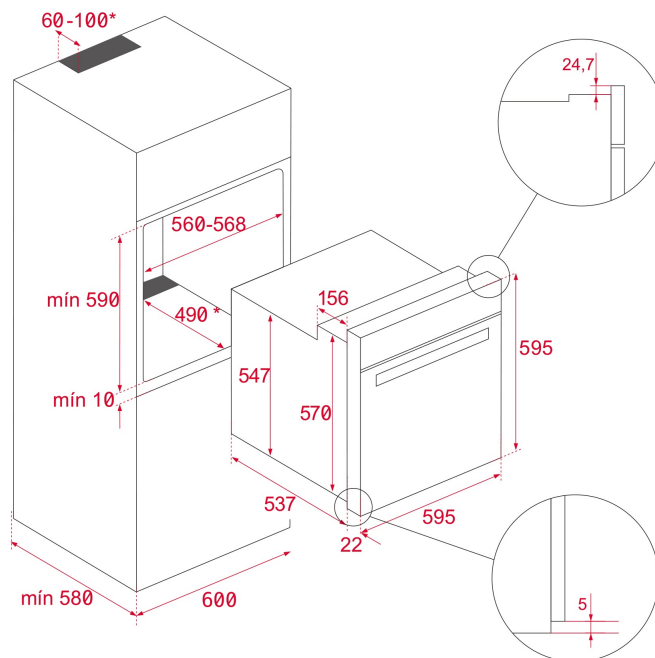


REFERENCE

REF. 111000014
EAN. 8434778008302

FEATURES

Urban Colors Edition
Multifunction SurroundTemp - 12 Cooking functions
Teka HydroClean®PRO cleaning system
A+ Energy class: up to 20% less consumption
Capacity, gross/net: 71/70 litres
True colour TFT 4 display with digital timer
Personal cooking assistant (20 recipes)
SlowCook function: low temperature cooking
Automatic temperature and time suggestion for each function
Quick heating
Children safety block
Automatic disconnection security system
Triple glazed door
SoftClose system
1 Plus-Extension telescopic guide, 5 cooking levels
Deep enamelled tray and reinforced grid
Tangential ventilation



DIMENSIONS

Product height (mm): 595

Product width (mm): 595

Product depth (mm): 537+22

Product length (mm):

Net weight (Kg): 32

TECH SPECS

PARTICULAR CHARACTERISTICS

Certificates: N / CE / CCA / CB/GMARK/ JAS-ANZ/SASO

Number of cavities: 1

Type of inner light: Halogen

Inside light position: RIGHT TOP CORNER

Enamelled cavity: Yes

Function selector: ELECTRONIC

Number of cooking functions: 12

Number of recipes: 20

Top + Bottom function: Yes

Grill + Bottom function: Yes

Grill function: Yes

MaxiGrill function: Yes

Top + Bottom + Fan function: Yes

Bottom function: Yes

Bottom + TURBO (Pizza) function: Yes

Turbo function: Yes

ECO function: Yes

Ferment function: Yes

Automatic quick heating: Yes

Slow Cook: Yes

Knobs type: MMX FIX ROTATIVE

Removable chromed tray guides: Yes

Number of guide levels: 5
Easy slide telescopic guides: Yes
Drop-down grill: Yes
Forced refrigeration tangential 1 speed: Yes
SoftClose: Yes

ELECTRIC CONNECTION

Maximum Nominal Power (W): 3215
Frequency (Hz): 50/60
Power rate (V): 220-240
Cable Connection Length (cm): 150
Plug: Yes
Inside light Consumption (W): 25

ENERGY CONSUMPTION

Energy consumption per cycle in conventional mode (kWh):
0.83
Energy consumption per cycle in fan-forced convection mode (kWh): 0,68
Bottom Heating Element (W): 1150
Grill (W): 1400
Maxi Grill (W): 2500
Traditional (W): 2550
Turbo (W): 2000
Multifunction Turbo (W): 22
Cooling Fan Motor (W): 18

SECURITY SYSTEM

Automatic disconnection when opening the door: Yes
Panel blocking system: Yes
Children safety block option: Yes
Grill protection: Yes
Anti-tip tray system: Yes
Safety Thermostat: Yes

CLEANING SYSTEM

Crystal Clean Enamel (Slippery): Yes
Hydroclean PRO: Yes

ACCESSORIES

Deep Tray (50 mm): 1
Steak tray: 0
Reinforced grid: 1

ENERGY EFFICIENCY

Energy Efficiency Class: A+
Energy Efficiency Index (EEI): 81

PRODUCT INFORMATION SHEET - DELEGATED REGULATION (EU) 65/2014

Supplier name or trademark: TEKA
Model identifier: HLB 8600 LB E01
Number of cavities: 1

Cavity 1

Energy Efficiency Index: 81
Energy Efficiency Class: A+
Energy consumption per cycle (conventional mode): 0.83
Energy consumption per cycle (fan-forced convection mode):
0,68
Volume: 71

