



# DoubleCook HLD 45.15 DoubleCook Multifunction Oven with two cavities



18L



38L



HydroClean

**DESCRIPTION**

DoubleCook Multifunction Oven with two cavities

**LIFE STYLE**

Maestro

**COLOURS**

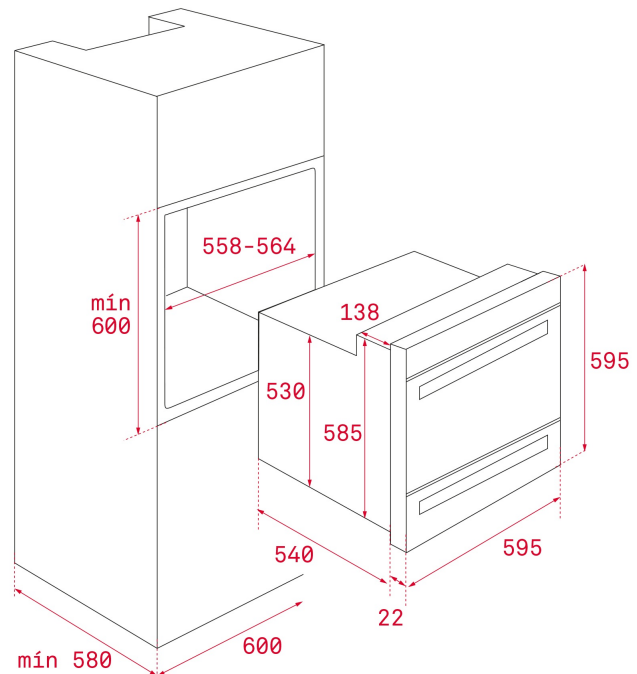


**REFERENCE**

REF. 41595025  
EAN. 8421152155189

**FEATURES**

Multifunction oven  
5 Cooking functions  
HydroClean system  
Touch control display  
Chrome supports with 4 cooking levels  
1 Plus Extension telescopic guide  
Double glazed door  
Automatic disconnection security system  
Children safety lock  
Anti-tip deep tray, anti-tip baking tray and reinforced grid  
Tangential ventilation  
Gross/net capacity: 48/38 litres



## DIMENSIONS

**Product height (mm):** 595

**Product width (mm):** 595

**Product depth (mm):** 540+22

**Product length (mm):**

**Net weight (Kg):** 41

## TECH SPECS

### PARTICULAR CHARACTERISTICS

**Certificates:** CE / CCA/ CB

**Number of cavities:** 2

**Type of inner light:** Halogen

**Inside light position:** REAR/SIDE

**Inside light position (lower cavity):** REAR/SIDE

**Inside light consumption (W) (lower cavity):** 25

**Enamelled cavity:** Yes

**Function selector:** 5+0

**Function selector (lower cavity):** 5+0

**Number of cooking functions:** 5

**Grill + Bottom function:** Yes

**Grill function:** Yes

**Grill + Bottom + Fan function:** Yes

**Bottom function:** Yes

**Number of cooking functions (lower cavity):** 4

**Touch Control Programmer:** Yes

**Knobs type:** MMX FIX KNOB knurling

**Removable chromed tray guides:** Yes

**Number of guide levels:** 4

**Drop-down grill:** Yes

**Number of guide levels (lower cavity):** 1

**Drop-down grill (lower cavity):** Yes

**Forced refrigeration tangential 1 speed:** Yes

## **ELECTRIC CONNECTION**

**Maximum Nominal Power (W):** 6148  
**Frequency (Hz):** 50/60  
**Power rate (V):** 220-240  
**Cable Connection Length (cm):** 200  
**Inside light Consumption (W):** 25

## **ENERGY CONSUMPTION**

**Energy consumption per cycle in conventional mode (kWh):** 0.7  
**Energy consumption per cycle in fan-forced convection mode (kWh):** 0,68  
**Bottom Heating Element (W):** 1800  
**Bottom Heating Element (W) (lower cavity):** 1050  
**Grill (W):** 1800  
**Grill (Lower Cavity) (W):** 1400  
**Traditional (W):** 2450  
**Traditional (W) (lower cavity):** 2450  
**Multifunction Turbo (W):** 30  
**Cooling Fan Motor (W):** 18

## **SECURITY SYSTEM**

**Panel blocking system:** Yes  
**Children safety block option:** Yes  
**Grill protection:** Yes  
**Anti-tip tray system:** Yes  
**Safety Thermostat:** Yes  
**Automatic disconnection when opening the door (lower cavity):** Yes  
**Grill protection (lower cavity):** Yes  
**Anti-tip tray system (lower cavity):** Yes  
**Safety Thermostat (lower cavity):** Yes  
**Full glass inner door (lower cavity):** Yes  
**Full glazed doors (lower cavity):** 2

## **CLEANING SYSTEM**

**Crystal Clean Enamel (Slippery):** Yes  
**Hydroclean ECO:** Yes

## **ACCESSORIES**

**Baking Tray:** 1  
**Deep Tray (50 mm):** 1  
**Reinforced grid:** 1  
**Reinforced grid (lower cavity):** 1

## **ENERGY EFFICIENCY**

**Energy Efficiency Class:** A/-  
**Energy Efficiency Index (EEI):** 95,8 / -

## **PRODUCT INFORMATION SHEET - DELEGATED REGULATION (EU) 65/2014**

**Supplier name or trademark:** TEKA  
**Model identifier:** HLD 45,15  
**Number of cavities:** 2

### **Cavity 1**

**Energy Efficiency Index:** 95,8 / -  
**Energy Efficiency Class:** A/-  
**Energy consumption per cycle (conventional mode):** 0.7  
**Energy consumption per cycle (fan-forced convection mode):** 0,68  
**Volume:** 48

**Cavity 2**

**Energy consumption per cycle (conventional mode):** 0.7

**Energy consumption per cycle (fan-forced convection mode):**

0,68

**Volume:** 31



# DoubleCook HLD 45.15

## ENERGY LABEL

**ENERG** Y UA  
енергия - енергетика IE IA

**TEKA** HLD 45.15

A+++  
A++  
A+  
**A**  
B  
C  
D

38 L

0.70 kWh/cycle\*  
0.68 kWh/cycle\*

\* цикъл - cyclus - portion - zklus - porção - ciclo - tsükkel - ohjelma - ciklus  
ciklus - ciklu - ciklu - cyclus - cykli - ciklu - program - cycle  
65/2014