



GFT 800 Integrated Hood with 3 speeds



LED

DESCRIPTION

Integrated Hood with 3 speeds

LIFE STYLE

Easy

COLOURS



REFERENCE

REF. 40446400
EAN. 8421152732571

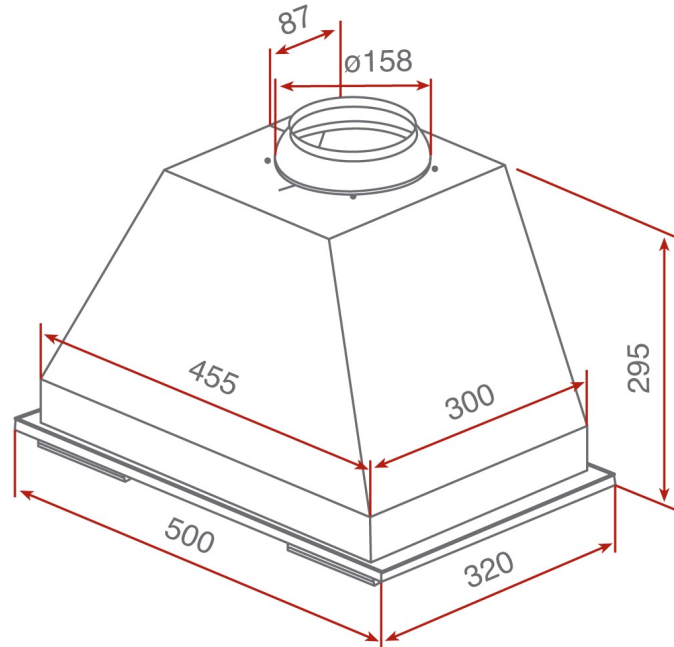


TEKA

GFT 800

FEATURES

Slider control panel
Operating pilot Light
Conventional aspiration
3 speeds
Exhaust capacities:
Free Outlet (m³/h): 830
Max. (m³/h): 653
Min. (m³/h): 280
Noise (LwA) Max Speed 66 dB
Noise (LwA) Min Speed 48 dB
Incandescent Lamps
2 aluminium filters



DIMENSIONS

Product height (mm): 295
Product width (mm): 500
Product depth (mm): 320
Product length (mm):
Net weight (Kg): 4,99

TECH SPECS

PARTICULAR CHARACTERISTICS

Type of hood: Integrated
Style: Integrated
Certificates: CE; CB; Rohs
Ø Outlet (mm): 120
Type of inner light: LED
Inside light Consumption (W): 6
Plug type: European plug
Power rate (V): 230240
Frequency (Hz): 5060
Total hood power (W): 242
Number of motors: 1
Motor power (W): 230
Exhaust Capacity - Free Outlet (m³/h): 830

**EU REGULATION NO. 65/2014
&66/2104**

Annual energy consumption AEC kWh/annum (kWh): 134,1
Energy Efficiency Class: D
Fluid Dynamic Efficiency (FDEhood): 13,5
Fluid Dynamic Efficiency class: D
Light Efficiency (Lehood) lux/Watt: 9,0
Lighting Efficiency class: E

Grease Filtering Efficiency class: B
Air flow (Qmin) m3/h: 280
Air flow (Qmax): 653
Air flow (Qboost): 0
Noise (LwA) Min Speed (dB): 48
Noise (LwA) Max Speed (dB): 66
Noise (LwA) boost speed (dB): 0
Off mode Power (Po) W: 0,00
Standby Power (Ps) W: 0,00
Energy Efficiency Index (EEI): 90,7
Time increase factor: 1,5
Electric power input at best efficiency point (Wbep) W: 229,0
Nominal power of the lighting system (WL) W: 12
Average illumination of the lighting system on the cooking surface (Emiddle) Lux: 108

ACCESSORIES

Outlet extension: Yes
Optional Charcoal Filter: D4C
Charcoal filter description: CHARCOAL FILTER D4C

MODELS

Number of filters: 1
Filter description: Aluminum
Control panel: Slider
Number of speeds: 3

PRODUCT INFORMATION SHEET - DELEGATED REGULATION (EU) 65/2014

Supplier name or trademark: TEKA
Model identifier: GFT 800
Annual Energy Consumption: 134,1
Energy Efficiency Class: D
Fluid Dynamic Efficiency: 13,5
Fluid Dynamic Efficiency class: D
Lighting Efficiency: 9,0
Lighting Efficiency class: E
Grease Filtering Efficiency class: B
Air flow (min speed normal use): 280
Air flow (max speed normal use): 653
Air flow (intensive or boost use): 0
Airborne acoustical A-weighted sound power emissions (min speed normal use): 48
Airborne acoustical A-weighted sound power emissions (max speed normal use): 66
Power consumption in off mode (W): 0,00
Power consumption in standby mode (W): 0,00



GFT 800

ENERGY LABEL

