



DBB 60 HP 60cm Pyramidal Decorative Hood with push buttons controls



LED

DESCRIPTION

60cm Pyramidal Decorative Hood with push buttons controls

LIFE STYLE

Easy

COLOURS



REFERENCE

REF. 40460470
EAN. 8421152076149



TEKA

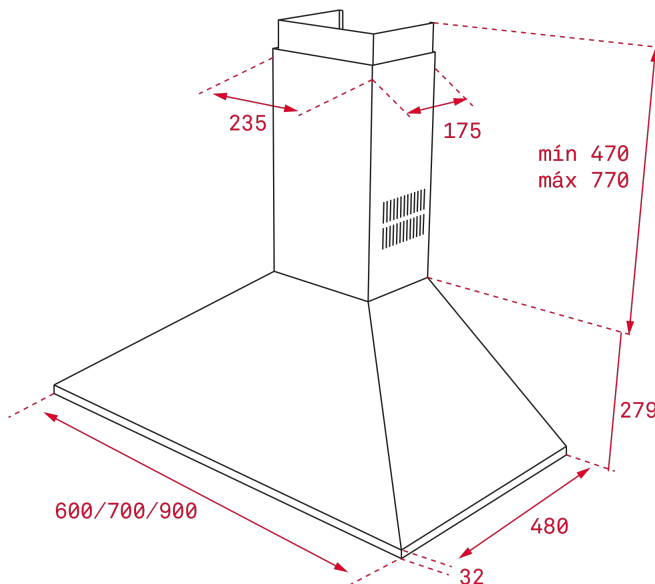
DBB 60 HP

FEATURES

Pyramidal decorative hood
Push buttons control panel
Operating Pilot Light
Conventional aspiration
3 speeds
Exhaust capacities:
Free Outlet (m³/h): 850
Max. (m³/h): 780
Min. (m³/h): 240
Noise (LwA) Max Speed 56 dB
Noise (LwA) Min Speed 48 dB
Incandescent Lamps
2 aluminum filters

DIMENSIONS

Product height (mm): 749-1049
Product width (mm): 600
Product depth (mm): 480
Product length (mm):
Net weight (Kg): 7,4



TECH SPECS

PARTICULAR CHARACTERISTICS

Type of hood: Pyramidal
Style: Decoratives
Certificates: CE; CB
Ø Outlet (mm): 150
Type of inner light: LED
Inside light Consumption (W): 5
Plug type: EU
Power rate (V): 220-240
Frequency (Hz): 50/60
Total hood power (W): 310
Number of motors: 1
Motor power (W): 230
Exhaust Capacity - Free Outlet (m³/h): 850

**EU REGULATION NO. 65/2014
&66/2104**

Annual energy consumption AEC kWh/annum (kWh): 185,9
Energy Efficiency Class: D
Fluid Dynamic Efficiency (FDEhood): 14,7
Fluid Dynamic Efficiency class: D
Light Efficiency (Lehood) lux/Watt: 5,9
Lighting Efficiency class: F

Grease Filtering Efficiency class: C
Air flow (Qmin) m3/h: 295
Air flow (Qmax): 650
Noise (LwA) Min Speed (dB): 48
Noise (LwA) Max Speed (dB): 67
Energy Efficiency Index (EEI): 99,2
Time increase factor: 1,5
Electric power input at best efficiency point (Wbep) W: 232,9
Nominal power of the lighting system (WL) W: 80
Average illumination of the lighting system on the cooking surface (Emiddle) Lux: 65

ACCESSORIES

Anti Return valve: Yes
Outlet reduction: Yes
Optional Charcoal Filter: D4C
Charcoal filter description: CHARCOAL FILTER D4C
Conventional recirculation kit (with tube cover): 40490146

MODELS

Number of filters: 2
Filter description: Aluminium
Control panel: Rectangular Push Buttons
Number of speeds: 3

PRODUCT INFORMATION SHEET - DELEGATED REGULATION (EU) 65/2014

Supplier name or trademark: TEKA
Model identifier: DBB 60 HP
Annual Energy Consumption: 185,9
Energy Efficiency Class: D
Fluid Dynamic Efficiency: 14,7
Fluid Dynamic Efficiency class: D
Lighting Efficiency: 5,9
Lighting Efficiency class: F
Grease Filtering Efficiency class: C
Air flow (min speed normal use): 295
Air flow (max speed normal use): 650
Airborne acoustical A-weighted sound power emissions (min speed normal use): 48
Airborne acoustical A-weighted sound power emissions (max speed normal use): 67



DBB 60 HP

ENERGY LABEL

