



## C 9310 90cm Classic Hood with 3 speeds



LED

---

### DESCRIPTION

90cm Classic Hood with 3 speeds

### LIFE STYLE

Easy

### COLOURS

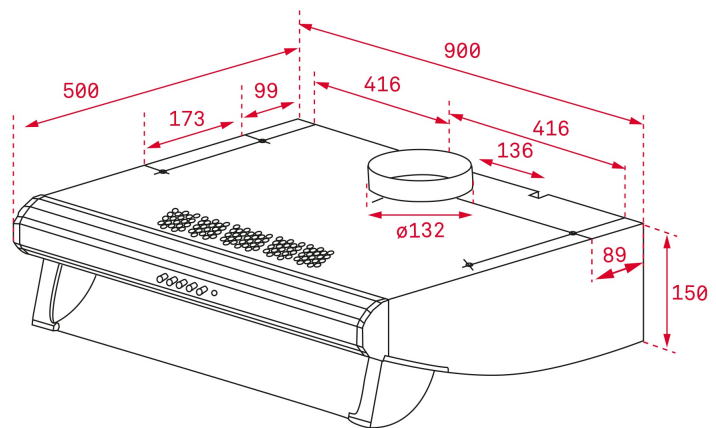


### REFERENCE

REF. 40466240  
EAN. 8421152146118

**FEATURES**

Push buttons control panel (SS models)  
Energy efficiency: E  
Operating pilot light  
3 speeds  
Exhaust capacities:  
Free Outlet, m<sup>3</sup>/h: 254  
Max., m<sup>3</sup>/h: 235  
Min., m<sup>3</sup>/h: 124  
Noise (LwA) Max Speed, dB: 62  
Noise (LwA) Min Speed, dB: 45  
2 halogen lamps  
3 aluminium filters  
Finger Print Proof Front Panel (SS)



## DIMENSIONS

**Product height (mm):** 150  
**Product width (mm):** 900  
**Product depth (mm):** 500  
**Product length (mm):**  
**Net weight (Kg):** 8,53

## TECH SPECS

### PARTICULAR CHARACTERISTICS

**Type of hood:** Classic  
**Style:** Integrated  
**Certificates:** CE; CB; Rohs  
**Ø Outlet (mm):** 120  
**Type of inner light:** LED  
**Inside light Consumption (W):** 6  
**Plug type:** EU  
**Power rate (V):** 220-240  
**Frequency (Hz):** 50/60  
**Total hood power (W):** 117  
**Number of motors:** 1  
**Motor power (W):** 105  
**Exhaust Capacity - Free Outlet (m<sup>3</sup>/h):** 254

**EU REGULATION NO. 65/2014  
&66/2104**

**Annual energy consumption AEC kWh/annum (kWh):** 67,1  
**Energy Efficiency Class:** D  
**Fluid Dynamic Efficiency (FDEhood):** 8,1  
**Fluid Dynamic Efficiency class:** E  
**Light Efficiency (Lehood) lux/Watt:** 4,5  
**Lighting Efficiency class:** F

**Grease Filtering Efficiency class:** D  
**Air flow (Qmin) m3/h:** 115  
**Air flow (Qmax):** 218  
**Noise (LwA) Min Speed (dB):** 45  
**Noise (LwA) Max Speed (dB):** 62  
**Energy Efficiency Index (EEI):** 91,0  
**Time increase factor:** 1,7  
**Electric power input at best efficiency point (Wbep) W:** 94,1  
**Nominal power of the lighting system (WL) W:** 12  
**Average illumination of the lighting system on the cooking surface (Emiddle) Lux:** 54

## **ACCESSORIES**

**Anti Return valve:** Yes  
**Outlet extension:** Yes  
**Optional Charcoal Filter:** C2R  
**Charcoal filter description:** CHARCOAL FILTER C2R

## **MODELS**

**Number of filters:** 3  
**Filter description:** Aluminium  
**Control panel:** Push buttons  
**Number of speeds:** 3  
**Fingerprint proof front panel:** Yes

## **PRODUCT INFORMATION SHEET - DELEGATED REGULATION (EU) 65/2014**

**Supplier name or trademark:** TEKA  
**Model identifier:** C 9310  
**Annual Energy Consumption:** 67,1  
**Energy Efficiency Class:** D  
**Fluid Dynamic Efficiency:** 8,1  
**Fluid Dynamic Efficiency class:** E  
**Lighting Efficiency:** 4,5  
**Lighting Efficiency class:** F  
**Grease Filtering Efficiency class:** D  
**Air flow (min speed normal use):** 115  
**Air flow (max speed normal use):** 218  
**Airborne acoustical A-weighted sound power emissions (min speed normal use):** 45  
**Airborne acoustical A-weighted sound power emissions (max speed normal use):** 62

