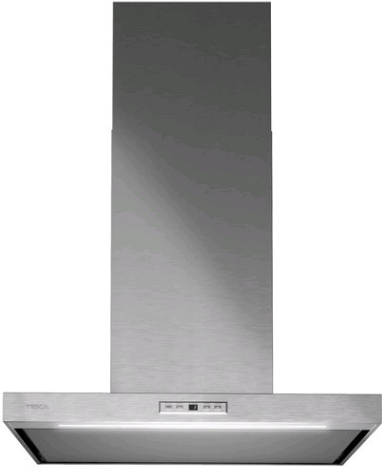




**DPS 786** 70cm A+ Decorative Hood with Contour Rim extraction and ECOPOWER motor



LED



Perimeter extraction



Stop Delay Timer

**DESCRIPTION**

70cm A+ Decorative Hood with Contour Rim extraction and ECOPOWER motor

**LIFE STYLE**

Maestro

**COLOURS**

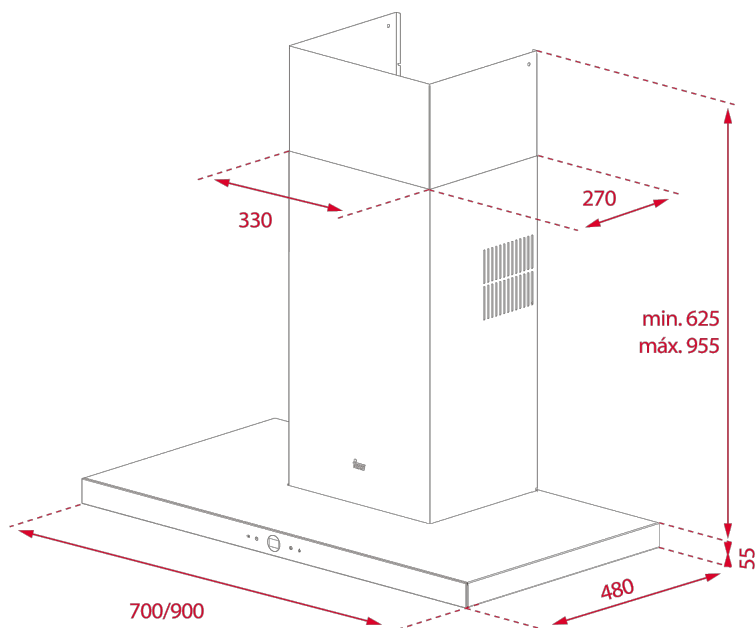


**REFERENCE**

REF. 40483016  
EAN. 8421152157466

**FEATURES**

Decorative hood  
Eco power  
Rim extraction  
Touch control panel  
3 speeds + 1 intensive  
Exhaust capacities:  
Max. (m<sup>3</sup>/h): 722  
Min. (m<sup>3</sup>/h): 320  
Noise (LwA) Max Speed 67 dB  
Noise (LwA) Min Speed 54 dB  
LED illumination  
Filter saturation indicator



## DIMENSIONS

**Product height (mm):** 690-1010

**Product width (mm):** 900

**Product depth (mm):** 480

**Product length (mm):**

**Net weight (Kg):** 14,02

## TECH SPECS

### PARTICULAR CHARACTERISTICS

**Type of hood:** Horizontal

**Style:** Decoratives

**Certificates:** CE; CB; Rohs

**Ø Outlet (mm):** 150

**Type of inner light:** LED

**Inside light Consumption (W):** 1 6

**Plug type:** Schuko plug

**Power rate (V):** 220240

**Frequency (Hz):** 50

**Total hood power (W):** 271

**Number of motors:** 1

**Motor power (W):** 265

**Exhaust Capacity - Free Outlet (m3/h):** 920

**EU REGULATION NO. 65/2014  
&66/2104**

**Annual energy consumption AEC kWh/annum (kWh):** 42,2

**Energy Efficiency Class:** A+

**Fluid Dynamic Efficiency (FDEhood):** 35,1

**Fluid Dynamic Efficiency class:** A

**Light Efficiency (Lehood) lux/Watt:** 64,7

**Lighting Efficiency class:** A

**Grease Filtering Efficiency class:** C  
**Air flow (Qmin) m3/h:** 320  
**Air flow (Qmax):** 589  
**Air flow (Qboost):** 722  
**Noise (LwA) Min Speed (dB):** 54  
**Noise (LwA) Max Speed (dB):** 67  
**Noise (LwA) boost speed (dB):** 69  
**Off mode Power (Po) W:** 0,25  
**Energy Efficiency Index (EEI):** 42,2  
**Time increase factor:** 0,7  
**Electric power input at best efficiency point (Wbep) W:** 148,1  
**Nominal power of the lighting system (WL) W:** 6  
**Average illumination of the lighting system on the cooking surface (Emiddle) Lux:** 388

## ACCESSORIES

**Anti Return valve:** Yes  
**Outlet reduction:** Yes  
**Optional Charcoal Filter:** D4C  
**Charcoal filter description:** CHARCOAL FILTER D4C  
**Conventional recirculation kit (with tube cover):** 40490147

## MODELS

**Number of filters:** 2  
**Filter description:** inox panel; aluminum filters bellow  
**Control panel:** Backlit electronic control with white display  
**Stop delay timer:** Yes  
**Filter saturation indicator:** Yes  
**Time clock:** Yes  
**Number of speeds:** 3+1

## PRODUCT INFORMATION SHEET - DELEGATED REGULATION (EU) 65/2014

**Supplier name or trademark:** TEKA  
**Model identifier:** DPS 786  
**Annual Energy Consumption:** 42,2  
**Energy Efficiency Class:** A+  
**Fluid Dynamic Efficiency:** 35,1  
**Fluid Dynamic Efficiency class:** A  
**Lighting Efficiency:** 64,7  
**Lighting Efficiency class:** A  
**Grease Filtering Efficiency class:** C  
**Air flow (min speed normal use):** 320  
**Air flow (max speed normal use):** 589  
**Air flow (intensive or boost use):** 722  
**Airborne acoustical A-weighted sound power emissions (min speed normal use):** 54  
**Airborne acoustical A-weighted sound power emissions (max speed normal use):** 66  
**Airborne acoustical A-weighted sound power emissions (intensive or boost use):** 69  
**Power consumption in off mode (W):** 0,25  
**Power consumption in standby mode (W):** n.a



DPS 786

ENERGY LABEL

