



C 8310 80cm Classic Hood with 3 speeds



DESCRIPTION

80cm Classic Hood with 3 speeds

LIFE STYLE

Easy

COLOURS



REFERENCE

REF. 40467420
EAN. 8421152150788



C 8310

FEATURES

Push buttons control panel

3 speeds

Exhaust capacities:

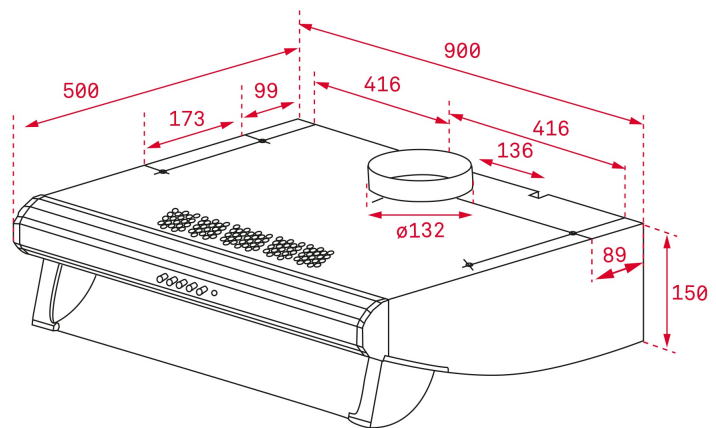
Max., m³/h: 532

Min., m³/h: 235

Noise (LwA) Max Speed, dB: 66

Noise (LwA) Min Speed, dB: 49

incandescent lamps



DIMENSIONS

Product height (mm):
Product width (mm):
Product depth (mm):
Product length (mm):
Net weight (Kg): 7,90

TECH SPECS

PARTICULAR CHARACTERISTICS

Type of hood: Classic
Style: Integrated
Certificates: CE; CB; Rohs,NOM
Ø Outlet (mm): 120
Type of inner light: Halogen
Inside light Consumption (W): 28
Plug type: Type A
Power rate (V): 110
Frequency (Hz): 60
Total hood power (W): 215
Number of motors: 1
Motor power (W): 130
Exhaust Capacity - Free Outlet (m3/h): 254

**EU REGULATION NO. 65/2014
&66/2104**

Annual energy consumption AEC kWh/annum (kWh): 130,9
Energy Efficiency Class: E
Fluid Dynamic Efficiency (FDEhood): 5,3
Fluid Dynamic Efficiency class: F
Light Efficiency (Lehood) lux/Watt: 0,8
Lighting Efficiency class: G

Grease Filtering Efficiency class: D
Air flow (Qmin) m3/h: 124
Air flow (Qmax): 235
Noise (LwA) Min Speed (dB): 49
Noise (LwA) Max Speed (dB): 66
Energy Efficiency Index (EEI): 107,7
Time increase factor: 1,8
Electric power input at best efficiency point (Wbep) W: 137,0
Nominal power of the lighting system (WL) W: 56
Average illumination of the lighting system on the cooking surface (Emiddle) Lux: 44

ACCESSORIES

Anti Return valve: Yes
Outlet extension: Yes
Optional Charcoal Filter: C2R
Charcoal filter description: CHARCOAL FILTER C2R (Included)

MODELS

Number of filters: 2
Filter description: Aluminum
Control panel: Push buttons
Number of speeds: 3
Fingerprint proof front panel: Yes

PRODUCT INFORMATION SHEET - DELEGATED REGULATION (EU) 65/2014

Supplier name or trademark: TEKA
Model identifier: C 8310
Annual Energy Consumption: 130,9
Energy Efficiency Class: E
Fluid Dynamic Efficiency: 5,3
Fluid Dynamic Efficiency class: F
Lighting Efficiency: 0,8
Lighting Efficiency class: G
Grease Filtering Efficiency class: D
Air flow (min speed normal use): 124
Air flow (max speed normal use): 235
Air flow (intensive or boost use): n.a
Airborne acoustical A-weighted sound power emissions (min speed normal use): 49
Airborne acoustical A-weighted sound power emissions (max speed normal use): 66
Power consumption in off mode (W): n.a
Power consumption in standby mode (W): n.a

