



DH2 1280 110cm Island Hood with EcoPower motor



Stop Delay
Timer

DESCRIPTION

110cm Island Hood with EcoPower motor

LIFE STYLE

Maestro

COLOURS

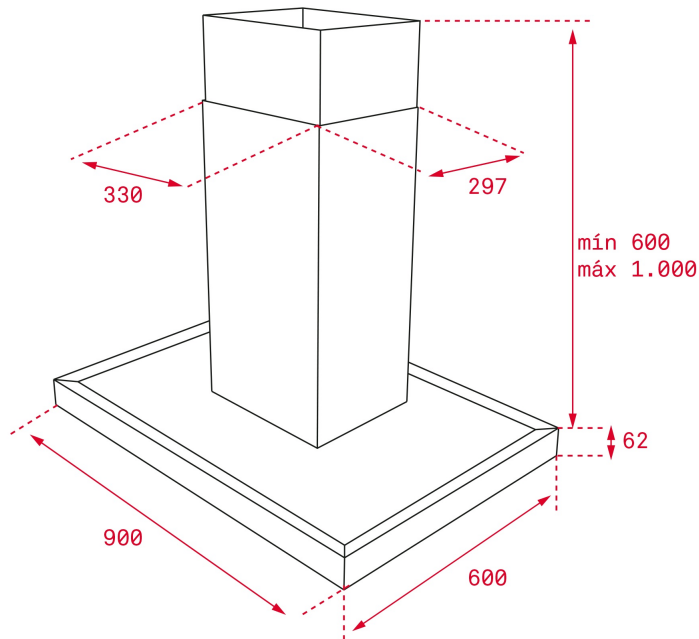


REFERENCE

REF. 40484680
EAN. 8421152153680

FEATURES

Island hood
EcoPower motor
Energy Efficiency class: D
Electronic panel
White display
Operating pilot light
3 speeds + 1 intensive
Exhaust capacities:
Free Outlet, m³/h: 850
Qboost, m³/h: 650
Max., m³/h: 400
Min., m³/h: 295
Noise (LwA) Boost Speed, dB: 66
Noise (LwA) Max Speed, dB: 56
Noise (LwA) Min Speed, dB: 48
4 LED lamps
4/3 stainless steel-aluminium filters
Reinforced Black Glass
Easy to clean inside panel
Stop delay timer
Filter saturation indicator



DIMENSIONS

Product height (mm): 817-1117+62

Product width (mm): 1200

Product depth (mm): 600

Product length (mm):

Net weight (Kg): 20

TECH SPECS

PARTICULAR CHARACTERISITICS

Type of hood: Horizontal

Style: Decoratives

Ø Outlet (mm): 150

Power rate (V): 110

Frequency (Hz): 60

Total hood power (W): 270

Number of motors: 1

Motor power (W): 230

Exhaust Capacity - Free Outlet (m3/h): 850

MODELS

Number of filters: 4

Stop delay timer: Yes

Easy-clean inside panel: Yes

Number of speeds: 4

