



# DVF 97670 TBS 90cm Vertical decorative Hood with Fresh air function



LED



Perimeter extraction



Stop Delay Timer



Fresh AIR



A++ Energy Class

## DESCRIPTION

90cm Vertical decorative Hood with Fresh air function

## LIFE STYLE

Maestro

## COLOURS

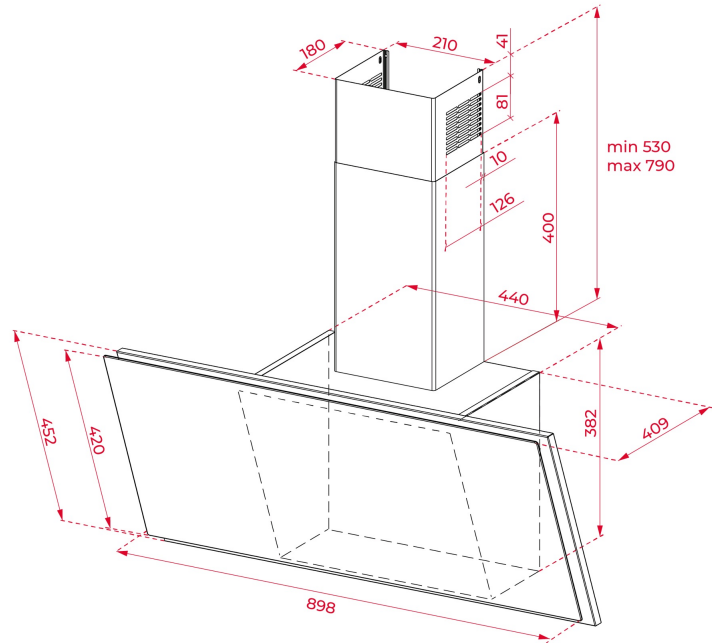


## REFERENCE

REF. 112930017  
EAN. 8434778010718

**FEATURES**

Vertical decorative hood  
Fresh air function  
Energy efficiency class: A++  
Extraction rim system "Contour"  
Touch control panel  
3 speeds + 1 intensive  
Exhaust capacities:  
Free Outlet (m<sup>3</sup>/h): 740  
Max. (m<sup>3</sup>/h): 400  
Min. (m<sup>3</sup>/h): 270  
Noise (LwA) Max Speed 59 dB  
Noise (LwA) Min Speed 53 dB  
LED illumination  
1 aluminium filter with 6 layers  
Stop delay timer  
Filter saturation indicator  
Recirculation function with or without tube cover  
Optional regenerative charcoal filters  
Installation also possible without tube cover



## DIMENSIONS

**Product height (mm):** 9121172  
**Product width (mm):** 898  
**Product depth (mm):** 409  
**Product length (mm):**  
**Net weight (Kg):** 12,9

## TECH SPECS

### PARTICULAR CHARACTERISTICS

**Type of hood:** Vertical  
**Style:** Decoratives  
**Certificates:** CE; CB; EMC  
**Dual Aspiration System:** Yes  
**Type of inner light:** LED  
**Inside light Consumption (W):** 1  
**Plug type:** EU, safety class 1  
**Cable Connection Length (cm):** 120 cm  
**Power rate (V):** 220240  
**Frequency (Hz):** 50/60  
**Total hood power (W):** 272  
**Number of motors:** 1  
**Motor power (W):** 270

**EU REGULATION NO. 65/2014  
 &66/2104**

**Annual energy consumption AEC kWh/annum (kWh):** 35.1  
**Energy Efficiency Class:** A++  
**Fluid Dynamic Efficiency (FDEhood):** 37,6  
**Fluid Dynamic Efficiency class:** A  
**Light Efficiency (Lehood) lux/Watt:** 45  
**Lighting Efficiency class:** A

**Grease Filtering Efficiency class:** C  
**Air flow (Qmin) m3/h:** 270  
**Air flow (Qmax):** 400  
**Air flow (Qboost):** 740  
**Noise (LwA) Min Speed (dB):** 53  
**Noise (LwA) Max Speed (dB):** 59  
**Noise (LwA) boost speed (dB):** 70  
**Off mode Power (Po) W:** 0,49  
**Energy Efficiency Index (EEI):** 35.7  
**Time increase factor:** 0.6  
**Electric power input at best efficiency point (Wbep) W:** 147.0  
**Nominal power of the lighting system (WL) W:** 2,2  
**Average illumination of the lighting system on the cooking surface (Emiddle) Lux:** 180

## **ACCESSORIES**

**Outlet reduction:** Yes  
**Outlet extension:** no  
**Optional Charcoal Filter:** D11C  
**Charcoal filter description:** CHARCOAL FILTER D11C (2 PIECES) DVF  
**Conventional recirculation kit (with tube cover):** 113290005  
**Conventional recirculation kit (without tube cover):** 113290004

## **MODELS**

**Number of filters:** 2  
**Filter description:** Aluminum Filters  
**Opening system:** Piston  
**Control panel:** Touch Control  
**Stop delay timer:** Yes  
**Filter saturation indicator:** Yes  
**Number of speeds:** 3+1  
**Fresh air function:** Yes



DVF 97670 TBS

ENERGY LABEL

