



DH2 ISLA 1285 120cm A Decorative Hood with Touch Control display and ECOPOWER motor



LED



Stop Delay
Timer

DESCRIPTION

120cm A Decorative Hood with Touch Control display and ECOPOWER motor

LIFE STYLE

Total

COLOURS

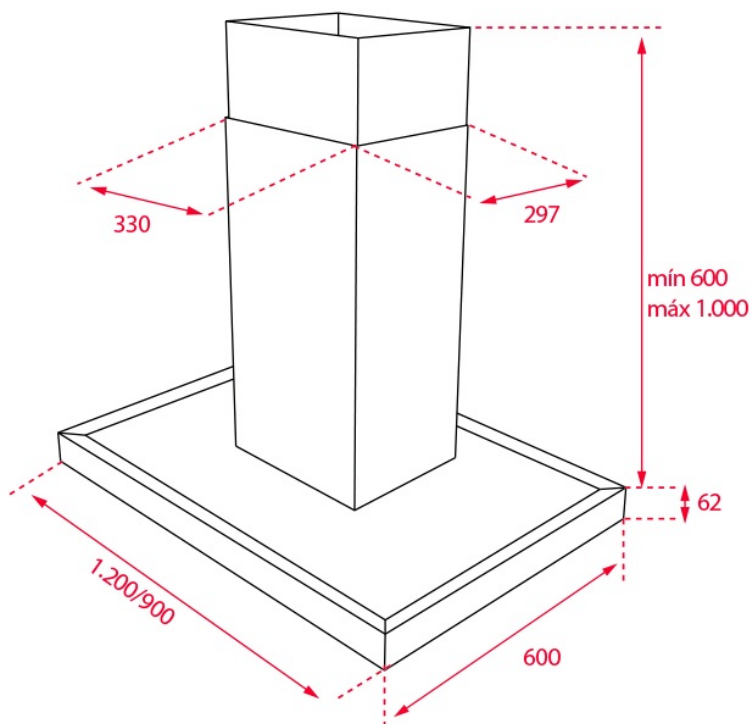


REFERENCE

REF. 40484670
EAN. 8421152145739

FEATURES

Island hood
EcoPower motor
Energy Efficiency class: A
Backlit electronic panel with white display
Operating pilot light
3 speeds + 1 intensive
Exhaust capacities:
Free Outlet, m³/h: 920
Qboost, m³/h: 796
Max., m³/h: 605
Min., m³/h: 311
Noise (LwA) Boost Speed, dB: 71
Noise (LwA) Max Speed, dB: 66
Noise (LwA) Min Speed, dB: 52
4 LED lamps
4/3 stainless steel-aluminium filters
Reinforced Black Glass
Easy to clean inside panel
Stop delay timer
Filter saturation indicator



DIMENSIONS

Product height (mm):

Product width (mm):

Product depth (mm):

Product length (mm):

Net weight (Kg): 20,5

TECH SPECS

PARTICULAR CHARACTERISTICS

Type of hood: Island

Style: Decoratives

Ø Outlet (mm): 150

Type of inner light: LED

Inside light Consumption (W): 3

Plug type: European plug

Frequency (Hz): 50

Total hood power (W): 292

Number of motors: 1

Motor power (W): 230

Exhaust Capacity - Free Outlet (m3/h): 920

**EU REGULATION NO. 65/2014
&66/2104**

Annual energy consumption AEC kWh/annum (kWh): 0,0

Fluid Dynamic Efficiency (FDEhood): 0,0

Fluid Dynamic Efficiency class: 0

Light Efficiency (Lehood) lux/Watt: 0,0

Lighting Efficiency class: 0

Grease Filtering Efficiency class: 0

Air flow (Qmin) m3/h: 0

Air flow (Qmax): 0

Air flow (Qboost): 0

Noise (LwA) Min Speed (dB): 0

Noise (LwA) Max Speed (dB): 0
Noise (LwA) boost speed (dB): 0
Off mode Power (Po) W: 0,00
Standby Power (Ps) W: 0,00
Energy Efficiency Index (EEI): 0,0
Time increase factor: 0,0
Electric power input at best efficiency point (Wbep) W: 0,0
Nominal power of the lighting system (WL) W: 0
Average illumination of the lighting system on the cooking surface (Emiddle) Lux: 0

ACCESSORIES

Charcoal filter description: CHARCOAL FILTER D4C

MODELS

Number of filters: 2
Filter description: Aluminium
Control panel: Backlit electronic control with display
Stop delay timer: Yes
Filter saturation indicator: Yes
Easy-clean inside panel: Yes
Number of speeds: 3 + 1

PRODUCT INFORMATION SHEET - DELEGATED REGULATION (EU) 65/2014

Supplier name or trademark: TEKA
Model identifier: DH2 ISLA 1285
Annual Energy Consumption: 0,0
Fluid Dynamic Efficiency: 0,0
Fluid Dynamic Efficiency class: 0
Lighting Efficiency: 0,0
Lighting Efficiency class: 0
Grease Filtering Efficiency class: 0
Air flow (min speed normal use): 0
Air flow (max speed normal use): 0
Air flow (intensive or boost use): 0
Power consumption in off mode (W): 0,00
Power consumption in standby mode (W): 0,00



DH2 ISLA 1285

ENERGY LABEL

