



C 6420 60cm Classical integrated Hood with 2 motors



LED

DESCRIPTION

60cm Classical integrated Hood with 2 motors

LIFE STYLE

Easy

COLOURS



REFERENCE

REF. 40465530
EAN. 8421152146088

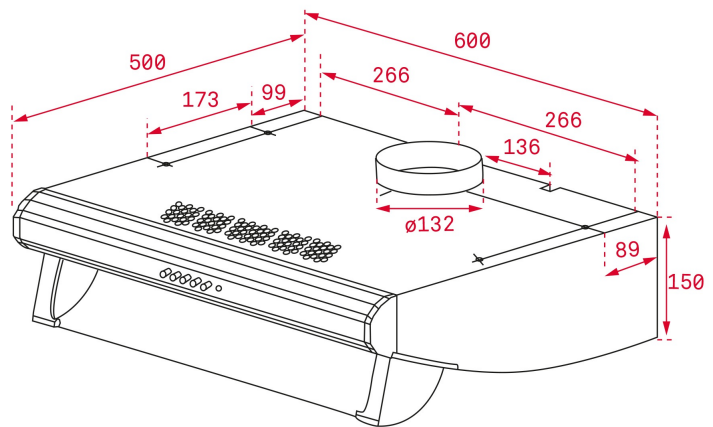


TEKA

C 6420

FEATURES

Classic hood
Push buttons control
3 speeds
Free Outlet exhaust capacity (m³/h):422
Max speed exhaust capacity (m³/h):375
Min speed exhaust capacity (m³/h): 141
Max speed sound level (dBA): 73
Min speed sound level (dBA): 60
2 LED lamps
2 aluminium filters
Operating pilot light
Fingerprint proof front panel
Anti-return valve included
Optional Charcoal Filter:C1R



DIMENSIONS

Product height (mm): 150
Product width (mm): 600
Product depth (mm): 500
Product length (mm):
Net weight (Kg): 8,05

TECH SPECS

PARTICULAR CHARACTERISTICS

Certificates: CE; CB; Rohs
Ø Outlet (mm): 120
Type of inner light: LED
Inside light Consumption (W): 6
Plug type: European plug
Power rate (V): 230
Frequency (Hz): 50
Total hood power (W): 200
Number of motors: 2
Motor power (W): 188
Air flow (Qmin) m³/h: 187
Air flow (Qmax): 353

ACCESSORIES

Anti Return valve: Yes
Outlet extension: Yes
Optional Charcoal Filter: C1R
Integration Frontal panel Code: No
Conventional recirculation kit (opt) - w/tube cover: No

MODELS

Number of filters: 2

Filter description: Aluminum

Control panel: Mechanical push buttons

Number of speeds: 3

Fingerprint proof front panel: Yes



C 6420

ENERGY LABEL

