



CC 485 40 cm Tubular Island Hood Design with Touch Control and COPOWER motor



LED



Stop Delay
Timer

DESCRIPTION

40 cm Tubular Island Hood Design with Touch Control and COPOWER motor

LIFE STYLE

Maestro

COLOURS

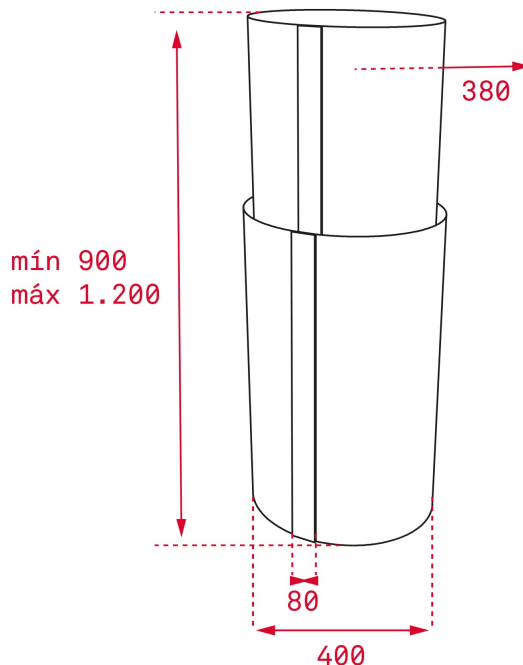


REFERENCE

REF. 40480330
EAN. 8421152145869

FEATURES

Decorative tubular island hood
Electronic control with display
3 speeds + 1 intensive
Free Outlet exhaust capacity (m³/h):920
Intensive speed exhaust capacity (m³/h):771
Max speed exhaust capacity (m³/h):525
Min speed exhaust capacity (m³/h): 305
Intensive speed sound level (dBA): 78
Max speed sound level (dBA): 72
Min speed sound level (dBA): 50
2 LEDS lamps
1 Stainless Steel filter
Stop delay timer
Filter saturation indicator
Operating pilot light
Anti-return valve included
Outlet reduction included
Optional recirculation kit with tube cover installation: SET 1/11
Optional Charcoal Filter: D4C



DIMENSIONS

Product height (mm): 900-

1200

Product width (mm): 400

Product depth (mm): 400

Product length (mm):

Net weight (Kg): 21,5

TECH SPECS

PARTICULAR CHARACTERISTICS

Certificates: CE; CB

Ø Outlet (mm): 150

Type of inner light: LED

Inside light Consumption (W): 3

Plug type: European plug

Power rate (V): 220240

Frequency (Hz): 50

Total hood power (W): 286

Number of motors: 1

Motor power (W): 280

Air flow (Qmin) m³/h: 305

Air flow (Qmax): 525

Air flow (Qboost): 771

ACCESSORIES

Anti Return valve: Yes

Outlet reduction: Yes

Optional Charcoal Filter: D4C

Conventional recirculation kit (opt) - w/tube cover: SET 1/11

MODELS

Number of filters: 1

Filter description: Stainless Steel filters

Control panel: Touch control

Stop delay timer: Yes

Filter saturation indicator: Yes

Number of speeds: 3+1



CC 485

ENERGY LABEL

