



DU 985 Vertical Decorative Hood with Touch Control and ECOPOWER motor



LED



Stop Delay
Timer

DESCRIPTION

Vertical Decorative Hood with Touch Control and ECOPOWER motor

LIFE STYLE

Maestro

COLOURS

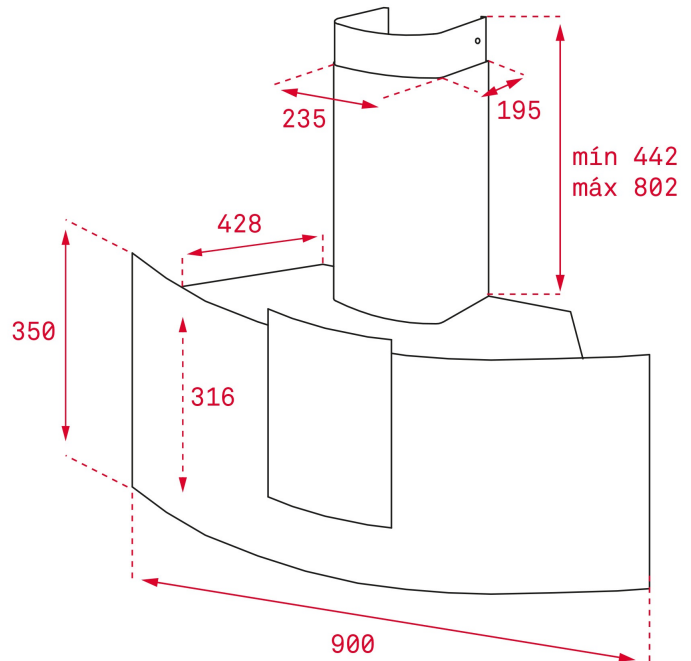


REFERENCE

REF. 40482610
EAN. 8421152145821

FEATURES

Decorative vertical hood
Electronic control with display
3 speeds + 1 intensive
Free Outlet exhaust capacity (m3/h): 920
Intensive speed exhaust capacity (m3/h): 807
Max speed exhaust capacity (m3/h): 597
Min speed exhaust capacity (m3/h): 303
Intensive speed sound level (dBA): 72
Max speed sound level (dBA): 68
Min speed sound level (dBA): 56
4 LED lamps
1 Stainless Steel filter
Stop delay timer
Filter saturation indicator
Easy-Clean inside panel
Operating pilot light
Anti-return valve included
Outlet reduction included
Optional recirculation kit with tube cover installation: 1/M
Optional Charcoal Filter: D4C



DIMENSIONS

Product height (mm): 350
Product width (mm): 900
Product depth (mm): 450
Product length (mm):
Net weight (Kg): 21,5

TECH SPECS

PARTICULAR CHARACTERISTICS

Certificates: CE; CB; Rohs
Ø Outlet (mm): 150
Type of inner light: LED
Inside light Consumption (W): 3
Plug type: European plug
Power rate (V): 220-240
Frequency (Hz): 50
Total hood power (W): 292
Number of motors: 1
Motor power (W): 280

ACCESSORIES

Anti Return valve: Yes
Outlet reduction: Yes
Optional Charcoal Filter: D4C
Conventional recirculation kit (opt) - w/tube cover: 1/M

MODELS

Number of filters: 1
Filter description: Stainless Steel filters
Control panel: Touch control

Stop delay timer: Yes
Filter saturation indicator: Yes
Easy-clean inside panel: Yes
Number of speeds: 3+1



DU 985

ENERGY LABEL

