



# EFX 30 Teppanyaki Modular Teppan Yaki EFX 30



**DESCRIPTION**

Modular Teppan Yaki EFX 30

**LIFE STYLE**

Total

**COLOURS**



**REFERENCE**

REF. 40214590  
EAN. 8421152129685

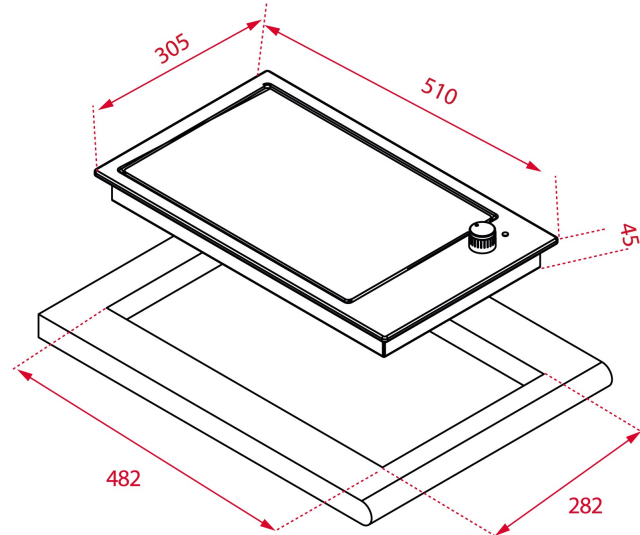


**TEKA**

## **EFX 30 Teppanyaki**

### **FEATURES**

Modular teppanyaki hob  
Frontal control knobs  
1 zone Ø 376 X 118 mm  
Maximum nominal power 2400 W



## DIMENSIONS

**Product height (mm):**  
**Product width (mm):** 305  
**Product depth (mm):** 510  
**Product length (mm):**  
**Net weight (Kg):** 9,7

## TECH SPECS

### FITTING MEASURES

**Built-in Width (mm):** 282  
**Built-in Depth (mm):** 482  
**Built-in height (mm):** 60

### ELECTRIC CONNECTION

**Frequency (Hz):** 50/60  
**Power rate (V):** 230  
**Cable Connection Length (cm):** 100  
**Maximum Nominal Power (W) (Electric hob):** 2400

### ACCESSORIES

**Teppan Yaki:** 1

