



DPL 1185 Island 110cm Island Hood with EcoPower motor



LED



Perimeter extraction



Stop Delay
Timer

DESCRIPTION

110cm Island Hood with EcoPower motor

LIFE STYLE

Maestro

COLOURS

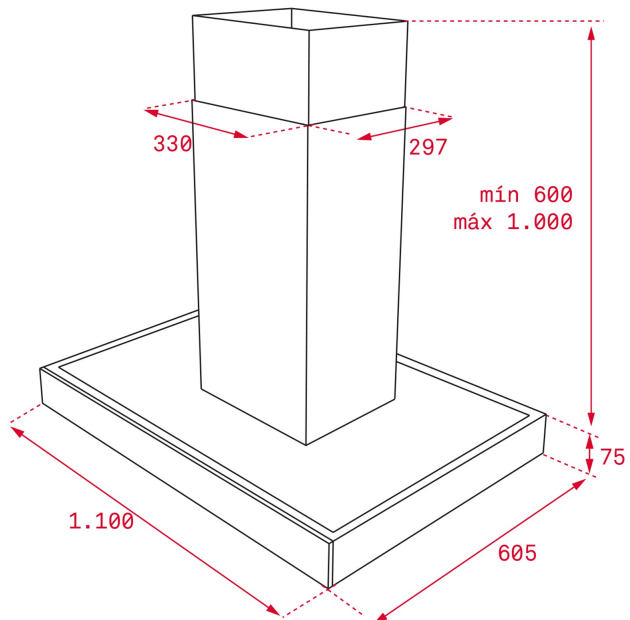


REFERENCE

REF. 40483173
EAN. 8421152145784

FEATURES

Decorative horizontal island hood
Touch control
Rim extraction
3 speeds + 1 intensive
Free Outlet exhaust capacity (m³/h): 920
Intensive speed exhaust capacity (m³/h): 782
Max speed exhaust capacity (m³/h): 629
Min speed exhaust capacity (m³/h): 331
Intensive speed sound level (dBA): 69
Max speed sound level (dBA): 66
Min speed sound level (dBA): 54
4 LED lamps
3 aluminium filters
Stop delay timer
Filter saturation indicator
Operating pilot light
Anti-return valve included
Outlet reduction included
Optional recirculation kit with tube cover installation: SET 1/T1
Optional Charcoal Filter: D4C



DIMENSIONS

Product height (mm): 817-1117

Product width (mm): 1100

Product depth (mm): 605

Product length (mm):

Net weight (Kg): 21,25

TECH SPECS

FEATURES

Ø Outlet (mm): 150
Type of inner light: LED
Inside light Consumption (W): 3
Plug type: European plug
Frequency (Hz): 50
Total hood power (W): 242
Number of motors: 1
Motor power (W): 230
Air flow (Qmin) m3/h: 0
Air flow (Qmax): 0
Air flow (Qboost): 0

ACCESSORIES

Anti Return valve: Yes
Outlet reduction: Yes

MODELS

Number of filters: 3
Filter description: inox panel; aluminum filters bellow
Control panel: Touch control
Stop delay timer: Yes

Filter saturation indicator: Yes

Number of speeds: 3 + 1

