



HLB 8400 P A+ Multifunction Surround Temp. Pyrolytic Oven



70L



DualClean



Plus Extension
Telescopic
Guide



HydroClean



Pyrolysis



SurroundTemp

DESCRIPTION

A+ Multifunction Surround Temp. Pyrolytic Oven

LIFE STYLE

Maestro

COLOURS



REFERENCE

REF. 111000007
EAN. 8434778007596

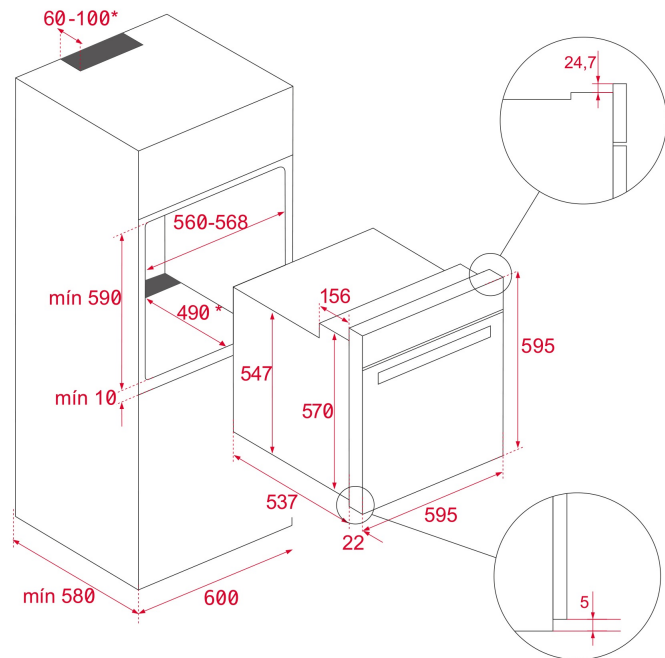


TEKA

HLB 8400 P

FEATURES

Urban Colors Edition
Multifunction SurroundTemp oven
8 cooking functions
Pyrolysis self-cleaning system and automatic HydroClean system
Mechanical control knobs
Electronic timer
Chrome supports with 5 cooking levels
Easy slide telescopic guides
Removable quadruple glazed door
Children safety lock
Automatic disconnection safety system
Manual quick preheating
Anti-tip deep tray
Capacity (gross/net): 71 / 70 litres



DIMENSIONS

Product height (mm): 595

Product width (mm): 595

Product depth (mm): 537+22

Product length (mm):

Net weight (Kg): 34

TECH SPECS

PARTICULAR CHARACTERISTICS

Certificates: N / CE / CCA / CB

Number of cavities: 1

Type of inner light: Halogen

Inside light position: RIGHT TOP CORNER

Enamelled cavity: Yes

Min. Temperature Regulator (°C): 50

Max. Temperature Regulator (°C): 250

Function selector: 11+0

Number of cooking functions: 8

Top + Bottom function: Yes

Grill function: Yes

MaxiGrill function: Yes

Bottom function: Yes

Bottom + TURBO (Pizza) function: Yes

Turbo function: Yes

ECO function: Yes

Mechanical quick heating: Yes

Touch Control Programmer: Yes

Knobs type: MMX FIX

Removable chromed tray guides: Yes

Number of guide levels: 5

Easy slide telescopic guides: Yes

ELECTRIC CONNECTION

Maximum Nominal Power (W): 3552

Frequency (Hz): 50/60

Power rate (V): 220-240

Cable Connection Length (cm): 110

Inside light Consumption (W): 25

ENERGY CONSUMPTION

Energy consumption per cycle in conventional mode (kWh):
0.88

Energy consumption per cycle in fan-forced convection mode (kWh): 0,68

Bottom Heating Element (W): 1050

Grill (W): 1400

Maxi Grill (W): 2450

Traditional (W): 2450

Turbo (W): 2000

Multifunction Turbo (W): 25

Cooling Fan Motor (W): 30

SECURITY SYSTEM

Automatic disconnection when opening the door: Yes

Panel blocking system: Yes

Children safety block option: Yes

Grill protection: Yes

Anti-tip tray system: Yes

Safety Thermostat: Yes

CLEANING SYSTEM

Crystal Clean Enamel (Slippery): Yes

Hydroclean PRO: Yes

Pyrolytic: Yes

DualClean: Yes

ACCESSORIES

Deep Tray (50 mm): 1

Standard grid: 1

ENERGY EFFICIENCY

Energy Efficiency Class: A+

Energy Efficiency Index (EEI): 81



HLB 8400 P

ENERGY LABEL

