



**SHT 70820** ExpertCare Series Dryer with 15 drying programs and 8kg capacity



Quick Cycle



Washing capacity: 8Kg

**DESCRIPTION**

ExpertCare Series Dryer with 15 drying programs and 8kg capacity

**LIFE STYLE**

Maestro

**COLOURS**

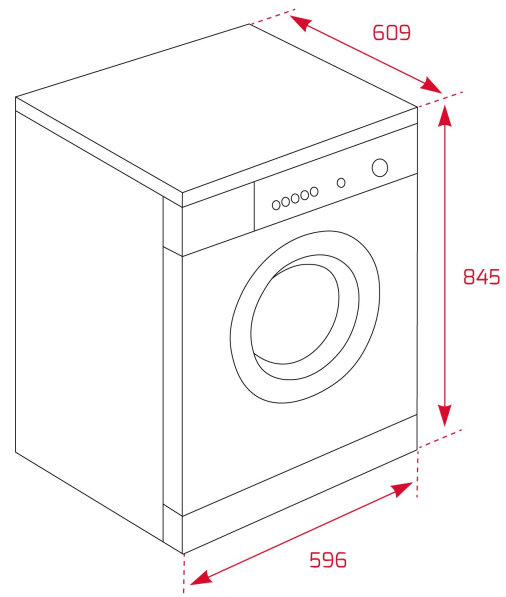


**REFERENCE**

REF. 114060001  
EAN. 8434778016642

**FEATURES**

PremiumCare series  
Free Standing Dryer  
Condensed heat pump drying technology  
ExcellentDry sensor  
Electronic control panel with display  
Drying capacity: 8 kg  
Drying programs: 15  
Fast program: 20/34 minutes  
Special programs: ECO mode, Wool care, Delicate, Sport, Baby Care, Refresh, Express  
Express: 34 minutes  
Shirts: 20 minutes  
Special functions: Delay timer, Easy ironing, Delicate, Drying level, Time Dry  
Child lock  
SoftCare drum  
Delay timer: 1-23 hours  
47 cm wide porthole door  
Reversible door



## DIMENSIONS

**Product height (mm):** 845  
**Product width (mm):** 596  
**Product depth (mm):** 609  
**Product length (mm):**  
**Net weight (Kg):** 48,8

## TECH SPECS

### PRODUCT SHEET

**Type of installation:** Free Standing  
**Drying capacity (Kgs):** 8  
**Condensation efficiency:** B  
**Energy consumption per drying cycle (Full load) (kWh):** 1.88  
**Energy consumption (kWh/year):** 235  
**Duration of drying cycle (Full load) (minutes):** 133  
**Automatic (sensor drying):** Yes

### POWER SUPPLY

**Frequency (Hz):** 50  
**Power rate (V):** 220-240  
**Maximum Nominal Power (W):** 1000  
**Nominal power motor (W):** 200

### PARTICULAR CHARACTERISITICS

**Glass door diameter (cms):** 47  
**Number of programs:** 15  
**Control panel:** ELECTRONIC T2 TOUCH  
**Child lock:** Yes  
**Cancel spin cycle button:** Yes  
**Bidirectional rotation:** Yes

## CONTROL INDICATOR LIGHTS

**Reversible door:** Yes  
**Drum light:** Yes  
**Drum:** Stainless Steel

**Selected program indicator:** Yes  
**Remaining time:** Yes  
**Drying:** Yes  
**Dryer timer:** Yes  
**Full water tank indicator:** Yes

## SPECIAL FUNCTIONS

**Fast program:** Yes  
**Fast program (minutes):** 20 min / 34 min  
**Economic program:** Yes  
**Delayed Timer (h):** 1-23  
**Delicate fabrics:** Yes  
**Resistant:** Yes  
**Easy ironing/anti crease:** Yes

## EQUIPMENT

**Adjustable Feet Back:** Yes  
**Adjustable feet front:** Yes



SHT 70820

ENERGY LABEL

The energy label for the TEKA SHT 70820 WH washing machine is a vertical rectangular sticker. At the top left is the European Union flag. To its right, the word "ENERGY" is written in large letters, with "енергия" (energy) in Cyrillic and "енерџија" (energy) in Latin script below it. Further right are two circular icons: one with a 'Y' and 'IA' (Energy Class) and another with 'IE' and 'IA' (Water Efficiency Class). Below this header is the TEKA logo and the model number "SHT 70820 WH".

The main part of the label features a vertical scale of energy efficiency classes from A+++ at the top to D at the bottom, each represented by a colored arrow pointing right. A black arrow points to the A++ class, indicating the machine's rating. Below the scale, the energy consumption is listed as "235 kWh/annum".

Below the energy consumption, there are four icons in a row: a washing machine, a clock, a shirt, and a speaker. Under these icons are the values: "174 min/cycle\*", "8,0 kg", and "65 dB".

At the bottom left, there is a water saving icon (three downward arrows) and the text "ABCDEFG". At the bottom right, there is a small disclaimer in multiple languages: "turvakaik - sykylus - parton - sykylus", "podobnyy tsikl - tsikl", "ohjelma - ciklus - ciklus - ciklus", "ciklus - veytas - veytas - veytas", "program - toskomgāng".

At the very bottom left corner of the label, the number "392/2012" is printed.