



# JZC 95314 AB Gas on glass + Induction hob with Direct Functions and 5 cooking zones in 90cm of natural gas



MultiSlider



Auto ignition



Autolock



ExactFlame



Power



Power Plus



Easy installation

## DESCRIPTION

Gas on glass + Induction hob with Direct Functions and 5 cooking zones in 90cm of natural gas

## LIFE STYLE

Total

## COLOURS

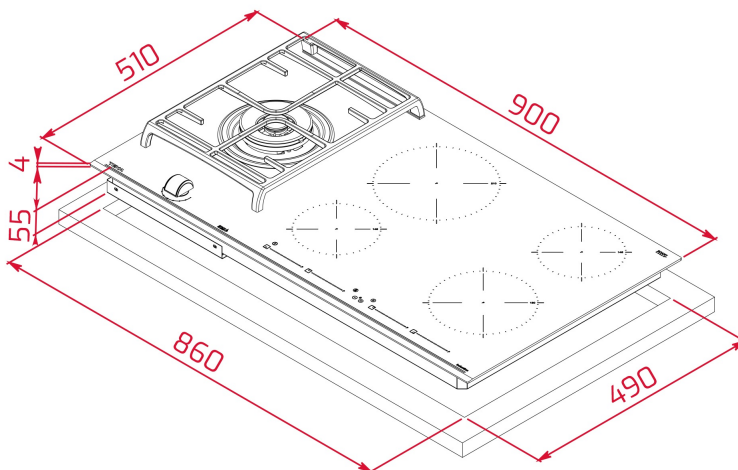


## REFERENCE

REF. 112570202  
EAN. 8434778019872

**FEATURES**

Urban Colors Edition  
Gas on glass + Induction hob  
ExactFlame  
Frontal control knobs + Touch Control MultiSlider  
5 cooking zones  
1 double ring burner, 4.00 kW  
1 zone Ø 210 mm  
1 zone Ø 180 mm  
2 zones Ø 145 mm  
Ceramic glass surface  
Auto ignition  
Auto-lock safety system  
Cast iron grids  
Induction:  
Cooking timer  
Power plus  
Child lock  
Residual heat indicator  
Power management  
Easy installation kit  
Maximum nominal power(Gas) 4000 W  
Maximum nominal power(Induction) 7200 W  
Optional: Wok support  
Silver knobs accessory available

**TEKA****JZC 95314 AB**

## DIMENSIONS

**Product height (mm):** 98  
**Product width (mm):** 900  
**Product depth (mm):** 510  
**Product length (mm):**  
**Net weight (Kg):** 16,4

## TECH SPECS

### FITTING MEASURES

**Built-in Width (mm):** 860  
**Built-in Depth (mm):** 490  
**Built-in height (mm):** 49

### PARTICULAR CHARACTERISTICS

**Gas type:** Natural&Butane  
**Maximum nominal power (W) (Gas):** 4000  
**Autoignition:** Yes  
**Number of electric power levels:** 9  
**Power management function:** Yes

### ELECTRIC CONNECTION

**Maximum Nominal Power (W):** 7200  
**Frequency (Hz):** 50/60  
**Power rate (V):** 220-240  
**Cable Connection Length (cm):** 110

### COOKING ZONES

**Cooking Zones:** 5

## SECURITY SYSTEM

**Automatic safety disconnection (Auto Lock) (Gas):** Yes

**Residual heat indicator (Electric hob):** Yes

**Automatic safety disconnection (Auto Lock) (Electric hob):** Yes

**Child lock:** Yes

## FINISH

**Surface finishing:** Front bevelled glass

**Surface type:** Ceramic Glass (4mm)

**Easy installation system:** Yes

## ACCESSORIES

**Grid type:** Full Grid

**Wok support:** Optional

**Junction Kit:** Optional

**Cast Iron Grids:** Yes

**Teppan Yaki:** No

