



EWH 80 H VR01 Water heater with double installation system and 80L capacity



Dry Heating Protection



ELCB Earth Leakage Circuit Breaker



Humidity Control



Overheating Protection



Type of Installation

DESCRIPTION

Water heater with double installation system and 80L capacity

LIFE STYLE

Total

COLOURS



REFERENCE

REF. 42080280
EAN. 8421152131961



TEKA

EWH 80 H VR01

FEATURES

Vertical and horizontal installation
Capacity: 73 litres
Average number of users: 2-4
Tank ultra-resistant protective polish
Enamelled heating element
Temperature regulation 30° - 75° C
Max input pressure: 0.75 Mpa
Thermometer
Over-pressure protection
Over-heating protection
Humidity protection
Dry-heating protection
Earth leakage circuit breaker ELCB
Power rate: 1500 W
Isolation thickness: 20 mm

DIMENSIONS

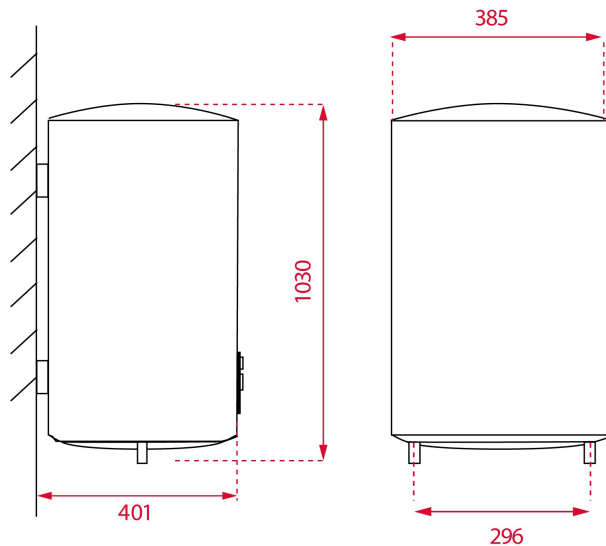
Product height (mm): 1030

Product width (mm): 385

Product depth (mm): 385

Product length (mm):

Net weight (Kg): 26,31



TECH SPECS

PARTICULAR CHARACTERISTICS

Power rate (V): 220-240

Frequency (Hz): 50

Power rate (W): 1.500

Plug type: EU

Type of installation: Vertical, Horizontal

Certificates: CE; CB

Average number of users: 2-4

Control panel: MECHANICAL

Number of power levels: 1

Maximum input pressure (Mpa): 0,75

Sapphire Enamelled Steel Tank: Yes

Magnesium protection anode: Yes

Heating element indicator lamp: Yes

Thermometer: Yes

Insulation thickness (mm): 20,00

Degree of protection against humidity: IPX4

Protection against heating: Yes

Dry heating protection: Yes

EU REGULATION NO.
812/2013

Declared load profile: M

Water heating energy efficiency class: C

Annual energy consumption AEC kWh/annum (kWh): 1422,00

Sound power level L WA (dB): 15

**EU REGULATION NO.
814/2013**

Storage Volume V L (L): 72



EWH 80 H VR01

ENERGY LABEL

