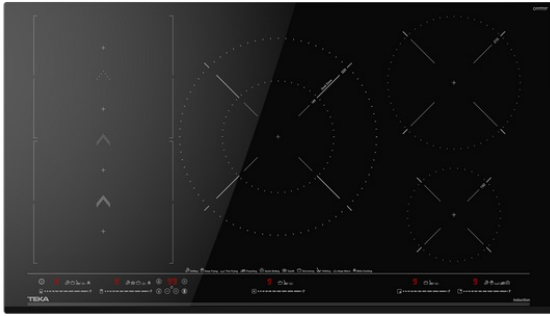


REFERENCE

REF: 112500034

EAN: 8434778012057



MultiSlider,
for
independent
control of
each
cooking
zone



Autolock



Power
function



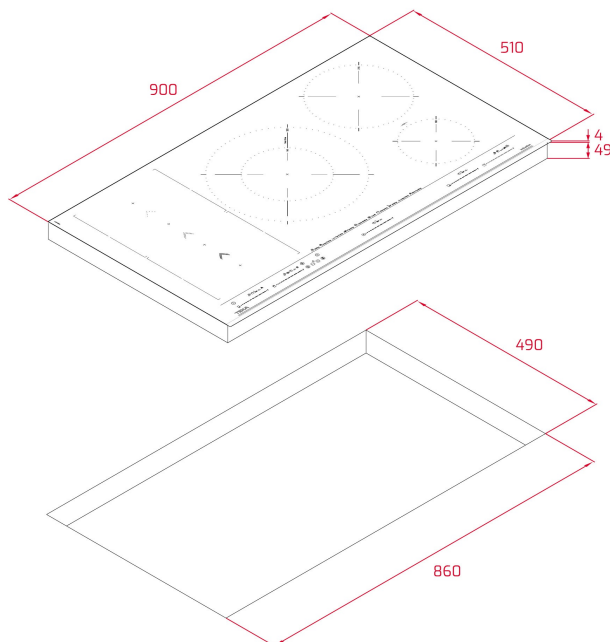
Power Plus
function



Easy
installation
system



Super
Zone XL

**FEATURES**

Induction hob
Touch control MultiSlider
Flex Function
SlideCooking Function
5 cooking zones:
1 induction Ø 150 mm
1 induction Ø 215 mm
1 induction Ø 320 - 180 mm
2 induction Ø 228 x 200 mm
Direct Functions: Simmering, Melting, Keep Warm, Grilling, Pan
Frying, Deep Frying, Confit, Poach, Quick Boiling
Residual heat indicators
Fast-Click easy installation
Power Plus function
Stop&Go function
Timmer
Acoustic alarm
Auto lock safety system
Child lock safety system
Maximum nominal power : 10.800 W

DIMENSIONS

Product height (mm): 53
Product width (mm): 900
Product depth (mm): 510
Product length (mm):
Net weight (Kg): 15,18

TECHNICAL DETAILS

Power rate (V): 220-240
Frequency (Hz): 50/60
Maximum Nominal Power (W): TBC

COLOURS

112500034

Black Glass

ENERGY EFFICIENCY

Power consumption in standby mode (W): 0.4
Time to reach standby mode (min): 1