



**GFH 55** 55cm Built-in Hood with push buttons control panel and 2 aluminum filters



LED lighting

**DESCRIPTION**

55cm Built-in Hood with push buttons control panel and 2 aluminum filters

**LIFE STYLE**

Easy

**COLOURS**



**REFERENCE**

REF. 40446700  
EAN. 8421152036396

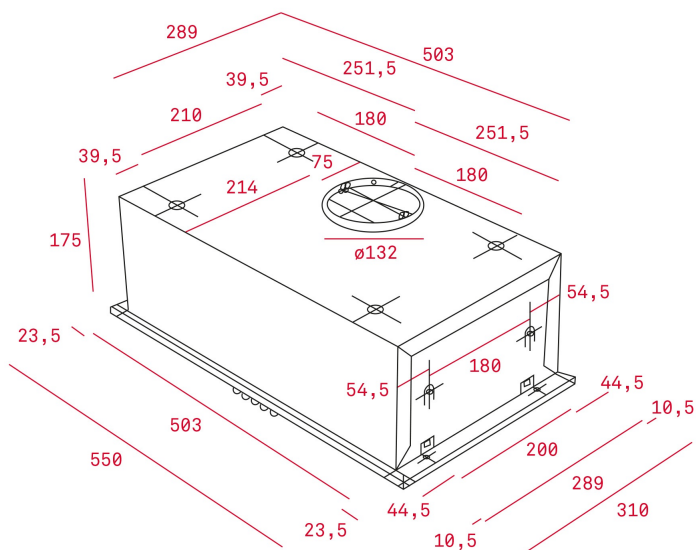


**TEKA**

**GFH 55**

**FEATURES**

Filter group  
Push buttons control panel  
Operating pilot light  
Conventional aspiration  
3 speeds  
Exhaust capacities:  
Free Outlet (m<sup>3</sup>/h): 367  
Max. (m<sup>3</sup>/h): 329  
Min. (m<sup>3</sup>/h): 223  
Noise (LwA) Max Speed 69 dB  
Noise (LwA) Min Speed 62 dB  
Integrated halogen lamps  
2 aluminium filters



## DIMENSIONS

**Product height (mm):** 175  
**Product width (mm):** 550  
**Product depth (mm):** 310  
**Product length (mm):**  
**Net weight (Kg):** 5

## TECH SPECS

### FEATURES

**Certificates:** CE, CB, Rohs  
**Ø Outlet (mm):** 120  
**Type of inner light:** LED  
**Inside light Consumption (W):** 1,5  
**Plug type:** European plug  
**Cable Connection Length (cm):** 150  
**Power rate (V):** 230  
**Frequency (Hz):** 50  
**Total hood power (W):** 134  
**Number of motors:** 1  
**Motor power (W):** 130  
**Air flow (Qmin) m<sup>3</sup>/h:** 156  
**Air flow (Qmax):** 315

### ACCESSORIES

**Anti Return valve:** Yes  
**Outlet extension:** no  
**Optional Charcoal Filter:** CNL 1C

### MODELS

**Number of filters:** 2

**Filter description:** Aluminium

**Control panel:** Mechanical push buttons

**Number of speeds:** 3



GFH 55

ENERGY LABEL

