



90cm Classic Hood with 3 speeds 90cm Classic Hood with 3 speeds



LED lighting

DESCRIPTION

90cm Classic Hood with 3 speeds

LIFE STYLE

Easy

COLOURS



REFERENCE

REF. 40466240
EAN. 8421152146118

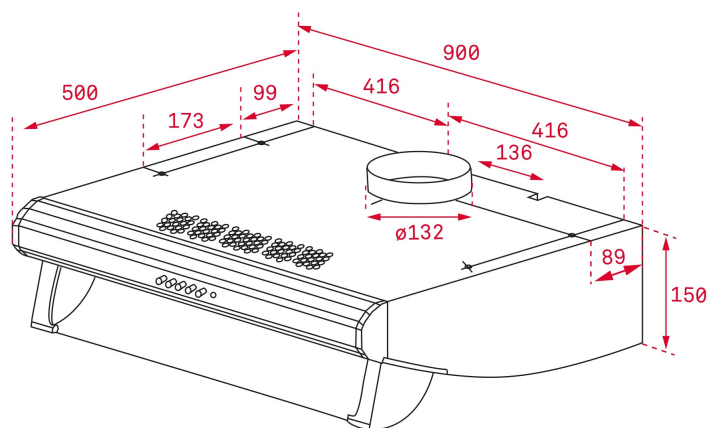


TEKA

90cm Classic Hood with 3 speeds

FEATURES

Push buttons control panel (SS models)
Energy efficiency: E
Operating pilot light
3 speeds
Exhaust capacities:
Free Outlet, m³/h: 254
Max., m³/h: 235
Min., m³/h: 124
Noise (LwA) Max Speed, dB: 62
Noise (LwA) Min Speed, dB: 45
2 halogen lamps
3 aluminium filters
Finger Print Proof Front Panel (SS)



DIMENSIONS

Product height (mm): 150
Product width (mm): 900
Product depth (mm): 500
Product length (mm):
Net weight (Kg): 8,53

TECH SPECS

PARTICULAR CHARACTERISITICS

Certificates: CE; CB; Rohs
Ø Outlet (mm): 120
Type of inner light: LED
Inside light Consumption (W): 6
Plug type: EU
Power rate (V): 220-240
Frequency (Hz): 50/60
Total hood power (W): 117
Number of motors: 1
Motor power (W): 105

**EU REGULATION NO. 65/2014
&66/2104**

Annual energy consumption AEC kWh/annum (kWh): 67,1
Energy Efficiency Class: D
Fluid Dynamic Efficiency (FDEhood): 8,1
Fluid Dynamic Efficiency class: E
Light Efficiency (Lehood) lux/Watt: 4,5
Lighting Efficiency class: F
Grease Filtering Efficiency class: D
Air flow (Qmin) m3/h: 115
Air flow (Qmax): 218

Noise (LwA) min. speed (dB): 45
Noise (LwA) max. speed (dB): 62
Energy Efficiency Index (EEI): 91,0
Time increase factor: 1,7
Air pressure at best efficiency point(Pbep) Pa: 208
Electric power input at best efficiency point (Wbep) W: 94,1
Nominal power of the lighting system (WL) W: 12
Average illumination of the lighting system on the cooking surface (Emiddle) Lux: 54

ACCESSORIES

Anti Return valve: Yes
Outlet extension: Yes
Optional Charcoal Filter: C2R
Charcoal filter description: CHARCOAL FILTER C2R

MODELS

Number of filters: 3
Filter description: Aluminium
Control panel: Push buttons
Number of speeds: 3
Fingerprint proof front panel: Yes

PRODUCT INFORMATION SHEET - DELEGATED REGULATION (EU) 65/2014

Supplier name or trademark: TEKA
Model identifier: C 9310
Annual Energy Consumption: 67,1
Energy Efficiency Class: D
Fluid Dynamic Efficiency: 8,1
Fluid Dynamic Efficiency class: E
Lighting Efficiency: 4,5
Lighting Efficiency class: F
Grease Filtering Efficiency class: D
Air flow (min speed normal use): 115
Air flow (max speed normal use): 218
Airborne acoustical A-weighted sound power emissions (min speed normal use): 45
Airborne acoustical A-weighted sound power emissions (max speed normal use): 62

