



FORMENTERA FORMENTERA WASHBASIN MIXER WHITE



DESCRIPTION

FORMENTERA WASHBASIN MIXER WHITE

LIFE STYLE

Formentera

COLOURS



REFERENCE

REF. 62346120BC
EAN. 8413509215110



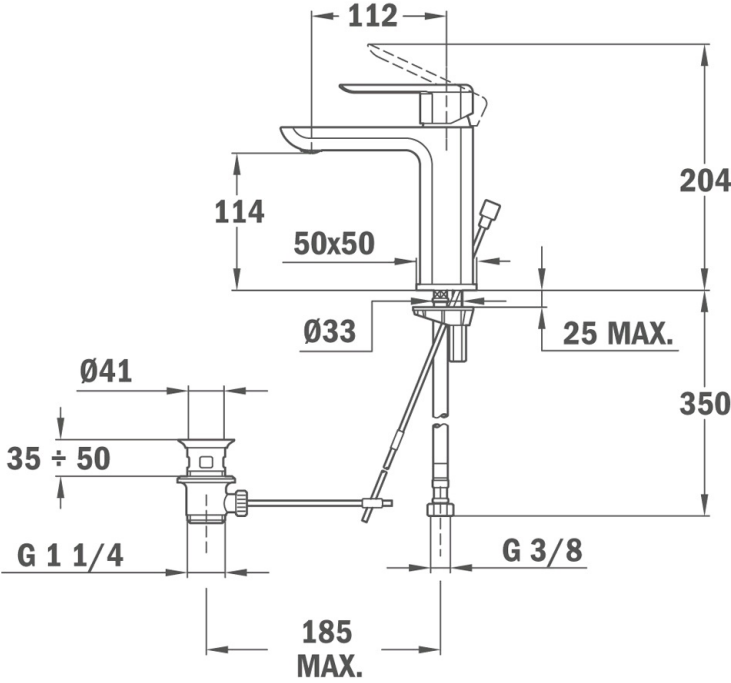
FORMENTERA

FEATURES

Without pop up waste
Constant optimized water consumption with a real water saving system.
1/2" flexible inlet pipes
Anti-scale aerator
Quality Certification: ACS



FORMENTERA



DIMENSIONS

- Product height (mm):
- Product width (mm):
- Product depth (mm):
- Product length (mm):
- Net weight (Kg):

TECH SPECS

MODELS

Type of installation: Free standing
Type of handle: Single lever

