



## ARK 915 Mixer



Anti-scale  
aerator



Swivel spout

---

### DESCRIPTION

Mixer

### LIFE STYLE

Easy

### COLOURS



### REFERENCE

REF. 239151210  
EAN. 8413509200239

The logo consists of a red square with the word "TEKA" in white, bold, uppercase letters.

**ARK 915**

**FEATURES**

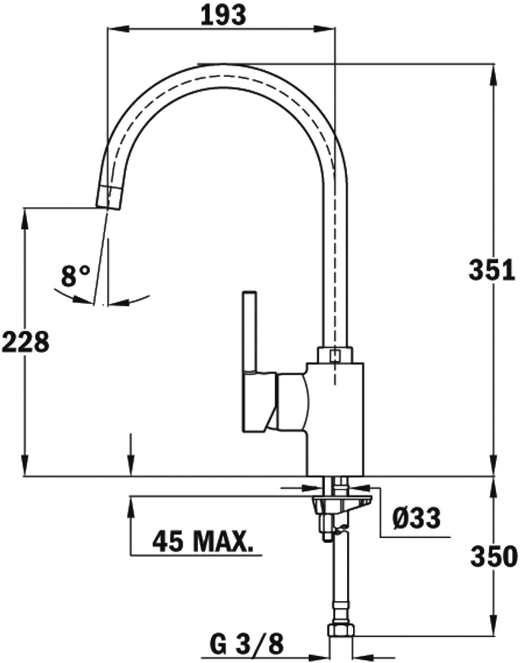
Mixer

Swivel spout 3/8" flexible inlet pipes

Anti-scale aerator



**ARK 915**



**DIMENSIONS**

- Product height (mm): 351
- Product width (mm):
- Product depth (mm):
- Product length (mm):
- Net weight (Kg): 1,7

**TECH SPECS**

**MODELS**

- Type of installation: Free standing
- Type of spout: High spout
- Type of handle: Single lever

