



**FRAME Mixer**



Anti-scale  
aerator



Swivel spout

**DESCRIPTION**

Mixer

**LIFE STYLE**

Total

**COLOURS**



**REFERENCE**

REF. 509150210  
EAN. 8413209204565



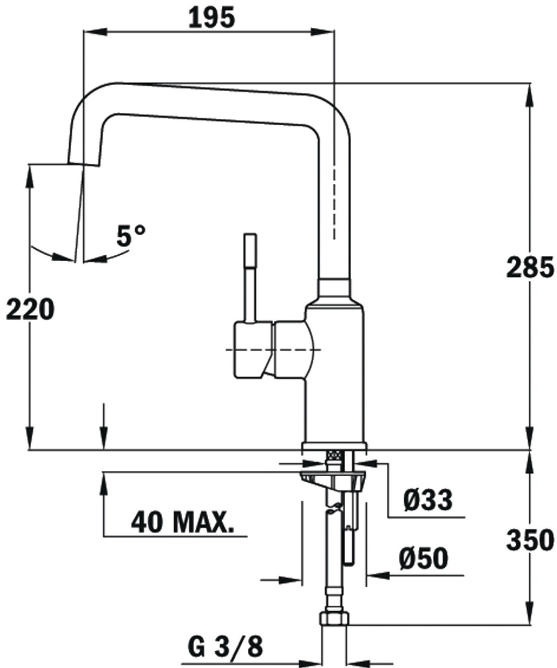
## FRAME

### FEATURES

Mixer  
Swivel spout 3/8" flexible inlet pipes  
Anti-scale aerator



**FRAME**



**DIMENSIONS**

- Product height (mm): 285
- Product width (mm):
- Product depth (mm):
- Product length (mm):
- Net weight (Kg): 2,55

**TECH SPECS**

**MODELS**

- Type of installation: Free standing
- Type of spout: High spout
- Type of handle: Single lever

