



**IC 915 Mixer**



Anti-scale  
aerator



Swivel spout

**DESCRIPTION**

Mixer

**LIFE STYLE**

Total

**COLOURS**



**REFERENCE**

REF. 339150210  
EAN. 8421152090398



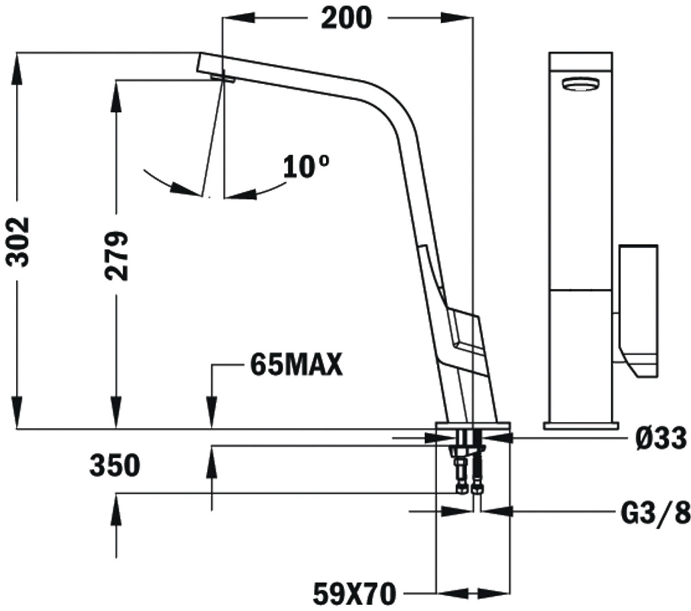
**IC 915**

**FEATURES**

- Mixer
- Swivel spout
- Anti-scale aerator 3/8" flexible inlet pipes



IC 915



**DIMENSIONS**

- Product height (mm): 302
- Product width (mm):
- Product depth (mm):
- Product length (mm):
- Net weight (Kg): 2,4

**TECH SPECS**

**MODELS**

- Type of installation: Free standing
- Type of spout: High spout
- Type of handle: Single lever

