



CI3 330 NF Built-in Combi refrigerator



Fresh Box,
keeps fruit and
vegetables
fresh for longer



LED lighting

DESCRIPTION

Built-in Combi refrigerator

LIFE STYLE

Total

COLOURS



REFERENCE

REF. 40633511
EAN. 8421152156551

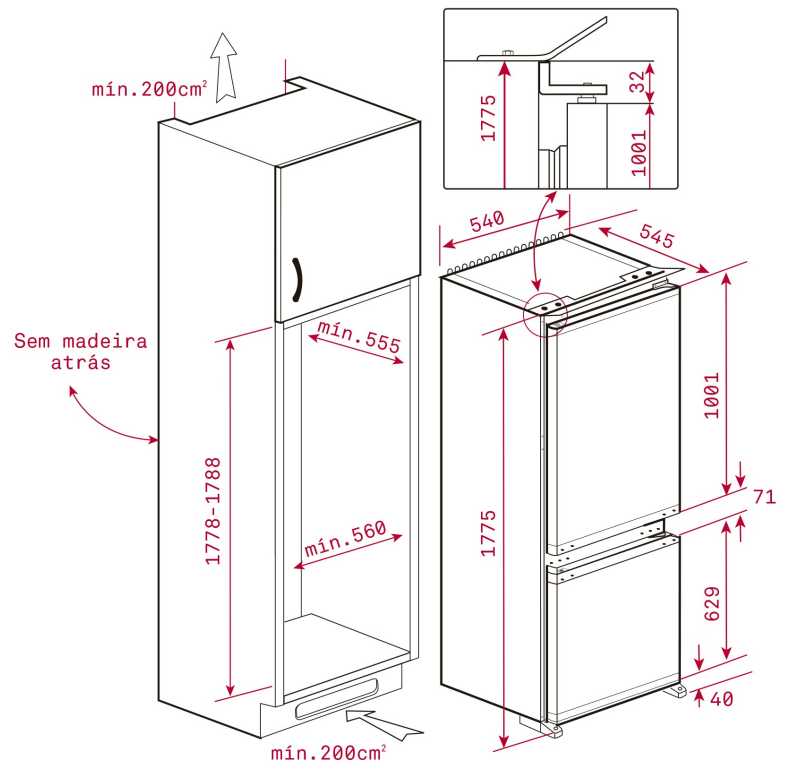


TEKA

CI3 330 NF

FEATURES

Built-in Combi refrigerator
Reversible doors Sliding door hinges
****4 Star freezer
No frost freezer
Sliding door hinges
Reversible doors
LED Illumination from top
Safety glass shelves hight adjustable Removeable balconies 2
Glass shelves in freezer to maximize loading Antibacterial gasket
Energy efficiency class: A+
Total gross volume: 275 liters
Fridge net volume: 193 liters
Freezer net volume: 69 liters



DIMENSIONS

Product height (mm): 1776
Product width (mm): 540
Product depth (mm): 545
Product length (mm):
Net weight (Kg): 55

TECH SPECS

FITTING MEASURES

Built-in niche (cm): 178

PRODUCT SHEET

Cooling system: Defrost/No Frost
No Frost in freezer compartment: Yes
Total gross capacity (litres): 275
Refrigerator compartment capacity (litres): 193
Freezer compartment capacity (litres): 69
Freezer classification: 4
Freezing capacity: 4,0
Annual Consumption (kWh/year): 286
Temperature Rise Time (h): 13
Climate class: T
Noise level (dB): 40

POWER SUPPLY

Frequency (Hz): 60
Power rate (V): 220-240
Power rate (W): 115
Defrost element power (W): 120
Energy consumption (kw/day): 0,785

PARTICULAR CHARACTERISTICS

Type of installation: Built-in
Automatic defrosting in the refrigeration compartment: Yes
Automatic defrosting in the freezer compartment: Yes
Antibacterial treatment: NO
Inner light: Yes
Type of inner light: LED on Ceiling
Reversible doors: Yes

EQUIPMENT

Chromed bottle rack: 4
Antibacterial gasket: Yes
Multipurpose compartment: NO
Ice cubes tray: 1
Bottle rack type: CHROMED
Adjustable feet front: Yes
Roller (rear): Yes
Vegetable drawers: 1
Temperature and humidity regulation in drawers: FRESH BOX

PRODUCT INFORMATION SHEET (UE) 2019/2016

Supplier name or trademark: TEKA

Type of refrigerating appliance

Overall dimensions (mm)

Climate class: T

Light source parameters

Minimum duration of the guarantee offered by the manufacturer (b): 24 months

Light source parameters

Minimum duration of the guarantee offered by the manufacturer (Years) (b): 24 months

Additional information:

Weblink to the manufacturer's website, where the information in point 4(a) Annex of Commission Regulation (EU) 2019/2019 (1) (b) is found:
(a) as determined in accordance with Commission Delegated Regulation (EU) 2019/2015 (2).

(b) changes to these items shall not be considered relevant for the purposes of point 4 of Article 4 of Regulation (EU) 2017/1369.

(c) if the product database automatically generates the definitive content of this cell the supplier shall not enter these data.

(1) Commission Regulation (EU) 2019/2019 of 1 October 2019 laying down ecodesign requirements for refrigerating appliances pursuant to Directive 2009/125/EC of the European Parliament and of the Council and repealing Commission Regulation (EC) No 643/2009 (see page 187 of this Official Journal).(2)

(2) Commission Delegated Regulation (EU) 2019/2015 of 11 March 2019 supplementing Regulation (EU) 2017/1369 of the European Parliament and of the Council with regard to energy labelling of light sources and repealing Commission Delegated Regulation (EU) No 874/2012 (see page 68 of this Official Journal).



CI3 330 NF

ENERGY LABEL

The energy label for the TEKA CI3 330 NF refrigerator features the following information:

- Energy Class:** A+ (indicated by a black arrow pointing to the A+ bar on the scale).
- Annual Energy Consumption:** 286 kWh/annum.
- Net Capacity (Refrigerator):** 193 L.
- Net Capacity (Freezer):** 69 L.
- Sound Power Level:** 40 dB.

Additional details include the TEKA logo, the model number CI3 330 NF, and the European Union energy label logo with the text "ENERG" and "енергия - енергия".