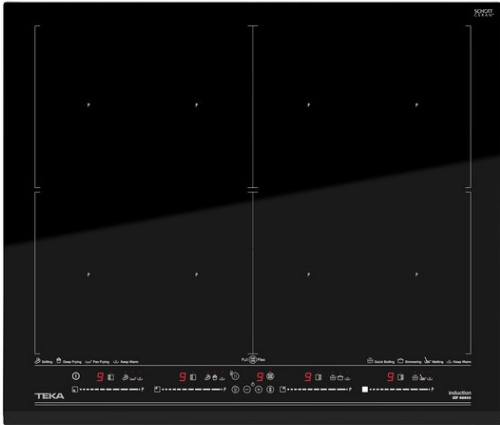




IZF 68600 MSP 60cm DirectSense with FullFlex Induction with temperature sensors



MultiSlider, for independent control of each cooking zone



Autolock



Power function



Power Plus function



Easy installation system



Flex zone

DESCRIPTION

60cm DirectSense with FullFlex Induction with temperature sensors

LIFE STYLE

Maestro

COLOURS

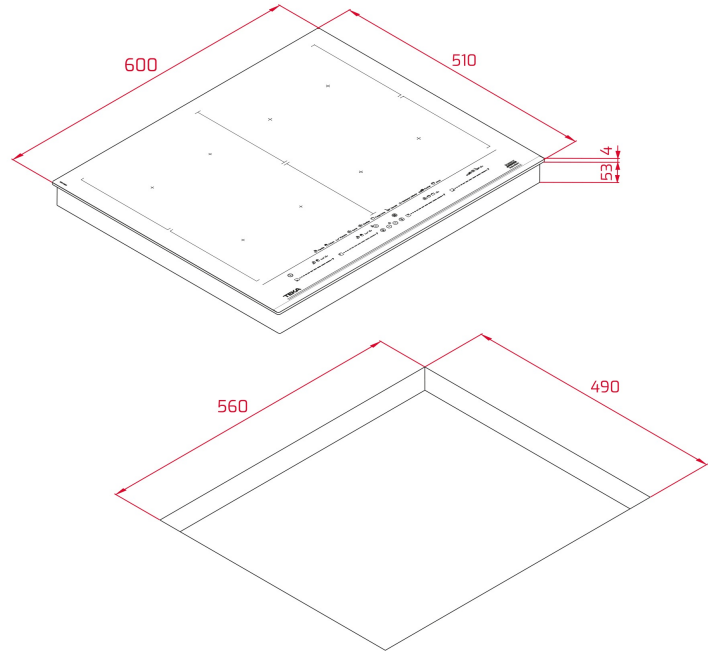


REFERENCE

REF. 112500005
EAN. 8434778000979

FEATURES

FLEX DirectSense Full Flex induction system
Touch Control Multislider, with safety lock
Cooking time programmer
8 induction zones (4 + 3 Flex combined + Full Flex)
-4 zones of 263 x 195 mm
-3 Flex zones of 263 x 390 mm
-1 Full Flex zone of 525 x 390 mm (285 x185 + 285 x185)
Direct functions with temperature sensor:
Grilling, Deep frying, Pan frying, Keep warm, QuickBoiling,
Simmering and Melting
Power Plus function
Stop & GO function / Silence mode
Optimised pan shape & size system
Fast-Click easy installation
Max. (nominal) power: 7.400 W



DIMENSIONS

Product height (mm): 57
Product width (mm): 600
Product depth (mm): 510
Product length (mm):
Net weight (Kg): 13,21

TECH SPECS

FITTING MEASURES

Built-in Width (mm): 560
Built-in Depth (mm): 490
Built-in Height (mm): 53

PARTICULAR CHARACTERISTICS

Number of electric power levels: 9
Grilling: Yes
Pan frying: Yes
Deep frying: Yes
Quick Boiling: Yes
Simmering: Yes
Melting: Yes
Keeping warm: Yes
Power management function: Yes

ELECTRIC CONNECTION

Frequency (Hz): 50/60
Power rate (V): 220-240
Cable Connection Length (cm): 110
Maximum Nominal Power (W) (Electric hob): 7400

COOKING ZONES

Cooking Zones: 4

Left rear cooking zone - Diameter (mm): 262,5 X 195

Left rear cooking zone - Pan detection (mm): Ø 80

Left rear cooking zone - Type: Flex Zone

Left front cooking zone - Diameter (mm): 262,5 X 195

Left front cooking zone - Pan detection (mm): Ø 80

Left front cooking zone - Type: Flex Zone

Center rear cooking zone - Pan detection (mm): No

Center rear cooking zone - Consumption in Wh/Kg (EU 66/2014): No

Center front cooking zone - Pan detection (mm): No

Center front cooking zone - Consumption in Wh/Kg (EU 66/2014): No

Right rear cooking zone - Pan detection (mm): Ø 80

Right rear cooking zone - Type: Flex Zone

Right front cooking zone - Diameter (mm): 262,5 X 195

Right front cooking zone - Pan detection (mm): Ø 80

Right front cooking zone - Type: Flex Zone

SECURITY SYSTEM

Residual heat indicator (Electric hob): Yes

Automatic safety disconnection (Auto Lock) (Electric hob): Yes

Safety Blocking: Yes

Child lock: Yes

FINISH

Surface finishing: Front bevelled glass

Surface type: Ceramic Glass (4mm)

Easy installation system: Yes

ACCESSORIES

Junction Kit: NO

Teppan Yaki: Optional

