



**CNL 6415 PLUS** 60cm Pull-out Hood with ECOPOWER motor and and 5+1 speeds



LED lighting



Stop delay timer

**DESCRIPTION**

60cm Pull-out Hood with ECOPOWER motor and and 5+1 speeds

**LIFE STYLE**

Total

**COLOURS**

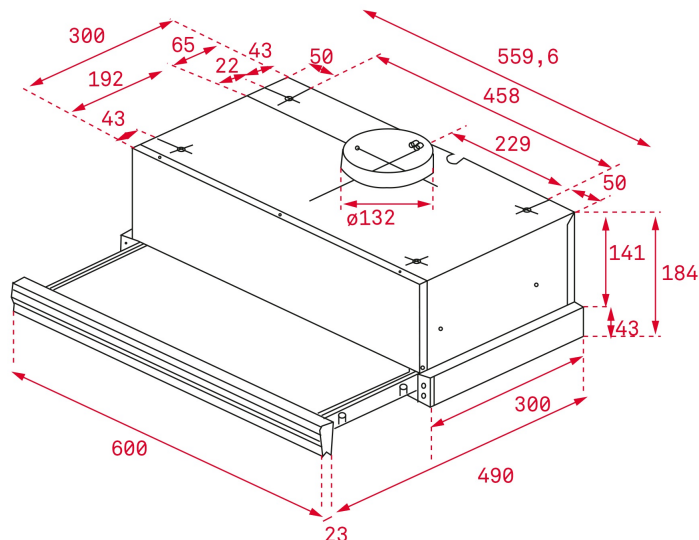


**REFERENCE**

REF. 40436820  
EAN. 8421152146200

**FEATURES**

Pull-out hood  
EcoPower motor  
Energy Efficiency class: A  
Electronic control panel  
5+1 speeds  
Exhaust capacities:  
Free Outlet, m<sup>3</sup>/h: 393  
Qboost, m<sup>3</sup>/h: 385  
Max., m<sup>3</sup>/h: 293  
Min., m<sup>3</sup>/h: 141  
Noise (LwA) Boost Speed, dB: 69  
Noise (LwA) Max Speed, dB: 63,9  
Noise (LwA) Min Speed, dB: 51,6  
1 LED bar  
2 stainless Steel filters MMX  
Reinforced Black Glass upper structure  
Automatic Lighting  
Exchangeable Front Panel  
Finger Print Proof Front Panel (SS)



## DIMENSIONS

**Product height (mm):** 184

**Product width (mm):** 600

**Product depth (mm):** 300/490

**Product length (mm):**

**Net weight (Kg):** 7,26

## TECH SPECS

### PARTICULAR CHARACTERISTICS

**Type of hood:** Pull-out

**Style:** Integrated

**Certificates:** CE; CB; Rohs

**Ø Outlet (mm):** 120

**Type of inner light:** LED

**Inside light Consumption (W):** 19

**Plug type:** European plug

**Power rate (V):** 230

**Frequency (Hz):** 50

**Total hood power (W):** 119

**Number of motors:** 1

**Motor power (W):** 110

**Exhaust Capacity - Free Outlet (m<sup>3</sup>/h):** 393

**EU REGULATION NO. 65/2014  
&66/2104**

**Annual energy consumption AEC kWh/annum (kWh):** 30,3

**Energy Efficiency Class:** A

**Fluid Dynamic Efficiency (FDEhood):** 26,7

**Fluid Dynamic Efficiency class:** B

**Light Efficiency (Lehood) lux/Watt:** 43,3

**Lighting Efficiency class:** A

**Grease Filtering Efficiency class:** C  
**Air flow (Qmin) m3/h:** 141  
**Air flow (Qmax):** 293  
**Air flow (Qboost):** 385  
**Noise (LwA) Min Speed (dB):** 52  
**Noise (LwA) Max Speed (dB):** 64  
**Noise (LwA) boost speed (dB):** 69  
**Energy Efficiency Index (EEI):** 54,1  
**Time increase factor:** 1,0  
**Electric power input at best efficiency point (Wbep) W:** 65,0  
**Nominal power of the lighting system (WL) W:** 9  
**Average illumination of the lighting system on the cooking surface (Emiddle) Lux:** 390

## ACCESSORIES

**Anti Return valve:** Yes  
**Optional Charcoal Filter:** CNL 1C  
**Charcoal filter description:** CHARCOAL FILTER CNL 1C

## MODELS

**Number of filters:** 2  
**Filter description:** Stainless Steel filters MMX  
**Control panel:** Electronic  
**Stop delay timer:** Yes  
**Automatic lighting:** Yes  
**Number of speeds:** 5+1  
**Fingerprint proof front panel:** Yes

## PRODUCT INFORMATION SHEET - DELEGATED REGULATION (EU) 65/2014

**Supplier name or trademark:** TEKA  
**Model identifier:** CNL 6415 PLUS  
**Annual Energy Consumption:** 30,3  
**Energy Efficiency Class:** A  
**Fluid Dynamic Efficiency:** 26,7  
**Fluid Dynamic Efficiency class:** B  
**Lighting Efficiency:** 43,3  
**Lighting Efficiency class:** A  
**Grease Filtering Efficiency class:** C  
**Air flow (min speed normal use):** 141  
**Air flow (max speed normal use):** 293  
**Air flow (intensive or boost use):** 385  
**Airborne acoustical A-weighted sound power emissions (min speed normal use):** 52  
**Airborne acoustical A-weighted sound power emissions (max speed normal use):** 60  
**Airborne acoustical A-weighted sound power emissions (intensive or boost use):** 69  
**Power consumption in off mode (W):** n.a  
**Power consumption in standby mode (W):** n.a



**CNL 6415 PLUS**

**ENERGY LABEL**

