



# RFD 77820 190cm A++ French Door No Frost Refrigerator



High efficiency  
Inverter Motor



On Holidays  
function



Gourmet Box,  
drawer with  
temperature  
selection  
between -2°  
and 3° C



IonClean  
Technology,  
neutralise  
bacteria and  
bad odours



LED lighting



LongLife No  
Frost,  
independent  
cooling circuits



VitaCare Box,  
keeps fruit and  
vegetables  
fresh

**DESCRIPTION**

190cm A++ French Door No Frost Refrigerator

**LIFE STYLE**

Maestro

**COLOURS**



**REFERENCE**

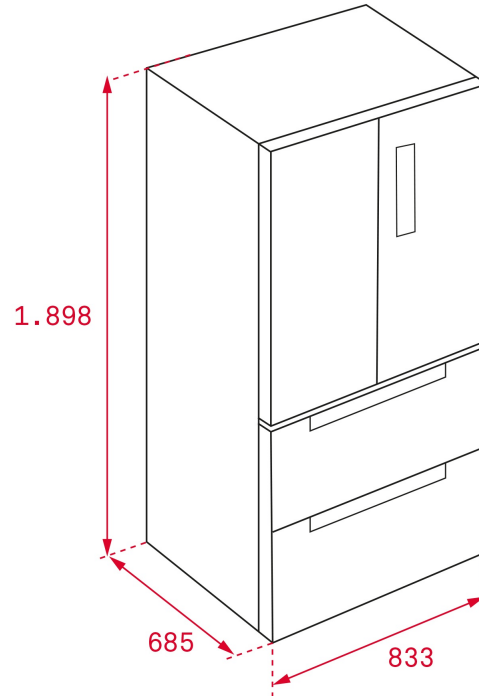
REF. 113430004  
EAN. 8434778001471

**FEATURES**

French Door Gourmet Refrigerator  
Motor inverter with high efficiency compressor  
IonClean technology to neutralize bacteria and bad odours  
LongLife No Frost with 3 independent circuits  
Touch control with independent temperature regulator  
Chromed details  
Gourmet Box with telescopic guides and softclose, interior light, display, and Touch control with independent temperature regulator between -2° and +3°C  
2 VitaCare Box drawers with independent humidity control  
Top and back LED light  
TempGuard Radar technology  
Interior LED light in freezer  
Pull-out telescopic softclose drawer with deep tray and two special drawers for meat and fish  
Pull-out telescopic softclose deep drawer with an upper tray with telescopic guides  
Removable freezer drawers for easy cleaning

## DIMENSIONS

**Product height (mm):** 1898  
**Product width (mm):** 833  
**Product depth (mm):** 685  
**Product length (mm):**  
**Net weight (Kg):** 136



## TECH SPECS

### FITTING MEASURES

**Built-in height (mm):** 1898

### PRODUCT SHEET

**Cooling system:** LongLife No Frost  
**No Frost In Refrigerator Compartment:** Yes  
**No Frost in chiller:** Yes  
**No Frost in freezer compartment:** Yes  
**Total gross capacity (litres):** 582  
**Refrigerator compartment capacity (litres):** 304  
**Chilling Compartment Capacity (litres):** 31  
**Freezer compartment capacity (litres):** 165  
**Freezer classification:** 4  
**Freezing capacity:** 13,0  
**Annual Consumption (kWh/year):** 314  
**Temperature Rise Time (h):** 15  
**Climate class:** N/T  
**Noise level (dB):** 41  
**Certificates:** CB/DE

### POWER SUPPLY

**Frequency (Hz):** 50

**Power rate (V):** 230  
**Power rate (W):** 250  
**Defrost element power (W):** 250  
**Energy consumption (kw/day):** 0,915  
**Cable Connection Length (cm):** 1750

## FEATURES

**Type of installation:** Free standing  
**Automatic defrosting in the refrigeration compartment:** Yes  
**Automatic defrosting in the freezer compartment:** Yes  
**Electronic adjustable thermostat:** Yes  
**Display on door:** Yes  
**Antibacterial treatment:** IonClean  
**Freezing set button:** Yes  
**Cooling set button:** Yes  
**Lock function:** Yes  
**Fast freezing:** Yes  
**Fast Cooling Function:** Yes  
**On Holidays Function:** Yes  
**Inner light:** Yes  
**Type of inner light:** LED  
**Integrated handle:** Yes

## CONTROL INDICATOR LIGHTS

**Operating light fridge:** Yes  
**Operating light freezer:** Yes  
**Freezer compartment temperature display:** Yes  
**Fast freezing indicator:** Yes  
**Acoustic alarm:** Yes  
**Visual alarm:** Yes

## EQUIPMENT

**Antibacterial gasket:** Yes  
**Multipurpose compartment:** NO  
**Ice cubes tray:** 1  
**Bottle rack type:** CHROMED  
**Dairy covered compartment:** Yes  
**Adjustable Feet Back:** Yes  
**Adjustable feet front:** Yes  
**Refrigerator adjustable shelves:** Yes  
**Vegetable drawers:** 3



RFD 77820

ENERGY LABEL

The energy label for the TEKA RFD 77820 GBK refrigerator features the following information:

- Model:** RFD 77820 GBK
- Energy Class:** A++ (indicated by a black arrow pointing to the A++ level on the scale)
- Energy Consumption:** 333 kWh/annum
- Net Capacity (Refrigerator):** 335 L
- Net Capacity (Freezer):** 165 L
- Noise Level:** 42 dB

At the bottom left of the label, the number 2010/1060 is printed.