



Motor Inverter



On Holidays function



Gourmet Box



IonClean Technology



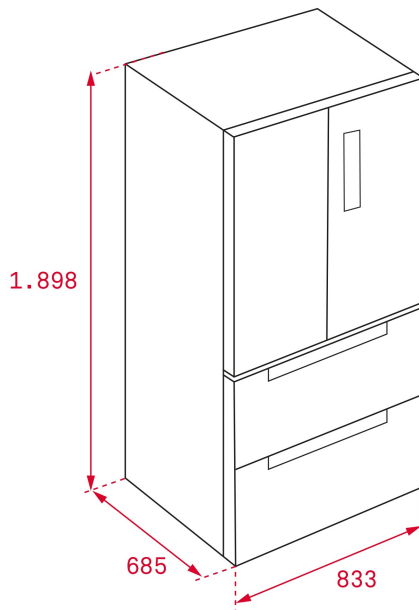
LED



LongLife No Frost



Vitacare Box



REFERENCE

REF: 113430004

EAN: 8434778001471

FEATURES

Urban Colors Edition
 Free Standing french door refrigerator
 LongLife No Frost with 3 independent circuits
 IonClean technology
 Inverter motor
 Outer control display
 Electronic adjustable thermostat
 Gourmet box + 2 VitaCare Box drawers
 Safety glass shelves
 On holidays function
 Fast freezing and fast cooling function
 Front adjustable feet
 LED Illumination
 Climate class: SN/N/ST/T
 Total capacity (gross/net): 582 / 500 litres
 Bottle rack and ice cube tray included

DIMENSIONS

Product height (mm): 1898**Product width (mm):** 833**Product depth (mm):** 685**Product length (mm):****Net weight (Kg):** 136

TECHNICAL DETAILS

Energy efficiency class (UE 2019/2016): NA

Climate Class: N/T

Energy Consumption (Kw/day): 0,915

Annual Consumption (kWh/year): 333

Freezing Capacity: 13

Noise Level (dBA): 41

Power rate (V): 230

Frequency (Hz): 50

COLOURS



113430004

Black glass



113430005

Stainless steel