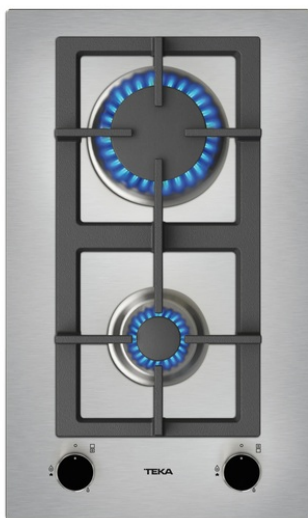


**TEKA****EFX 30.1 2G AI AL CI**

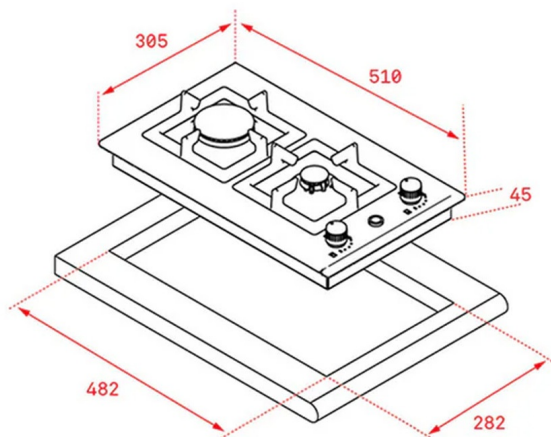
Stainless steel gas hob with frontal control knobs of butane and natural gas, 30cm



Auto  
ignition



Autolock

**REFERENCE**

REF: 112610047

EAN: 8434778019575

**FEATURES**

Gas hob  
Frontal control knobs  
2 cooking zones  
1 fast ring burner, 2.8 kW  
1 auxiliary ring burner, 1 kW  
Stainless steel surface  
Auto ignition  
Auto-lock safety system  
Cast iron grids  
Maximum nominal power 3800 W  
Optional: Wok support

**DIMENSIONS****Product height (mm):** 91**Product width (mm):** 305**Product depth (mm):** 510**Product length (mm):****Net weight (Kg):** 4,9**TECHNICAL DETAILS**

Power rate (V): 220-240

Frequency (Hz): 50/60

Maximum Nominal Power (W): -

**COLOURS**

112610047

Stainless steel

**ENERGY EFFICIENCY**

Power consumption in standby mode (W): -

Time to reach standby mode (min): -