



DVU 590 90cm Vertical Hood with Touch Control panel and remote control



Remote Control



LED



Stop Delay
Timer

DESCRIPTION

90cm Vertical Hood with Touch Control panel and remote control

LIFE STYLE

Maestro

COLOURS



REFERENCE

REF. 40491305
EAN. 8421152127261

FEATURES

Vertical decorative hood
Touch control panel
Remote control
Operating pilot light
Conventional aspiration
3 speeds
Exhaust capacities:
Free Outlet (m³/h): 553
Max. (m³/h): 538
Min. (m³/h): 443
Noise (LwA) Max Speed 59 dB
Noise (LwA) Min Speed 50 dB
LED illumination
2 aluminium filters
Stop delay timer

DIMENSIONS

Product height (mm):

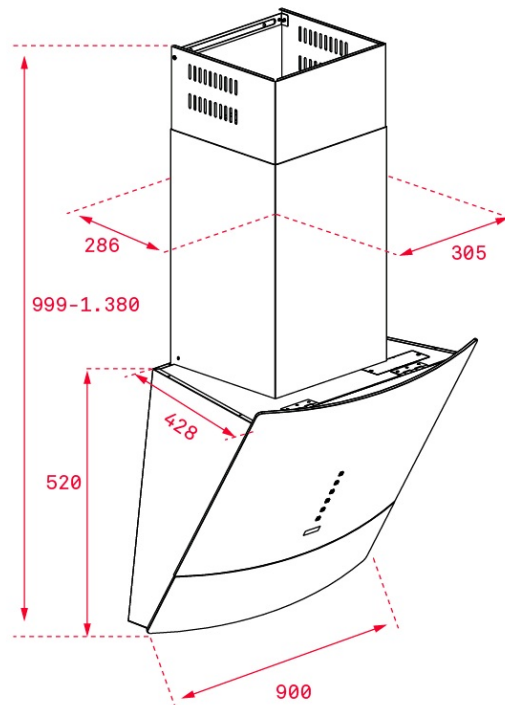
1001~1391

Product width (mm): 900

Product depth (mm): 432

Product length (mm):

Net weight (Kg): 31



TECH SPECS

PARTICULAR CHARACTERISTICS

Type of hood: Vertical

Style: Decoratives

Certificates: CE

Ø Outlet (mm): 150

Type of inner light: LED

Inside light Consumption (W): 2

Plug type: EU

Power rate (V): 220-240

Frequency (Hz): 50

Total hood power (W): 204

Number of motors: 1

Motor power (W): 200

Exhaust Capacity - Free Outlet (m3/h): 553

**EU REGULATION NO. 65/2014
&66/2104**

Annual energy consumption AEC kWh/annum (kWh): 89,0

Energy Efficiency Class: D

Fluid Dynamic Efficiency (FDEhood): 15,3

Fluid Dynamic Efficiency class: D

Light Efficiency (Lehood) lux/Watt: 33,0

Lighting Efficiency class: A

Grease Filtering Efficiency class: D
Air flow (Qmin) m³/h: 443
Air flow (Qmax): 538
Noise (LwA) Min Speed (dB): 50
Noise (LwA) Max Speed (dB): 59
Standby Power (Ps) W: 0,36
Energy Efficiency Index (EEI): 86,2
Time increase factor: 1,5
Electric power input at best efficiency point (Wbep) W: 150,8
Nominal power of the lighting system (WL) W: 4
Average illumination of the lighting system on the cooking surface (Emiddle) Lux: 131

ACCESSORIES

Anti Return valve: Yes
Outlet reduction: Yes
Optional Charcoal Filter: D6C
Charcoal filter description: CHARCOAL FILTER D6C

MODELS

Number of filters: 2
Filter description: Aluminium
Control panel: Soft touch with remote control (Auto Opening)
Remote control: Yes
Stop delay timer: Yes
Number of speeds: 3



DVU 590

ENERGY LABEL

