



TKS 850 C 8kg Electronic Condensate Dryer with 4 intensity levels



Quick Cycle



Washing
capacity: 8Kg

DESCRIPTION

8kg Electronic Condensate Dryer with 4 intensity levels

LIFE STYLE

Maestro

COLOURS



REFERENCE

REF. 40854100
EAN. 8421152131718

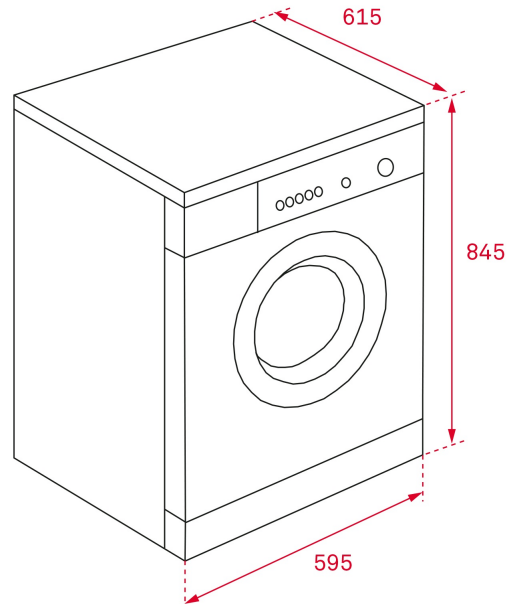


TEKA

TKS 850 C

FEATURES

Free standing dryer
Condenser dryer
16 programs
Drying capacity: 8 Kg
Electronic control panel with display
Delay timer 1-24h
4 Power levels
End of cycle alarm
Speed dry function
Humidity sensor
Anti-crease program
Delicate clothing program clothing program
Cooling program
Bi- direction rotation
Removable filter with saturation level indicator
Energy class: B

TEKA**TKS 850 C**

DIMENSIONS

Product height (mm): 845
Product width (mm): 595
Product depth (mm): 615
Product length (mm):
Net weight (Kg): 42

TECH SPECS

PRODUCT SHEET

Type of load: Front
Type of installation: Free standing
Drying capacity (Kgs): 8
Energy Efficiency Class: B
Condensation efficiency: B
Energy consumption per drying cycle (Full load) (kWh): 4.74
Energy consumption (kWh/year): 561
Duration of drying cycle (Full load) (minutes): 140
Automatic (sensor drying): Yes

POWER SUPPLY

Frequency (Hz): 50
Power rate (V): 220-240
Maximum Nominal Power (W): 2700
Nominal power motor (W): 200
Power of heating element (W): 2500

PARTICULAR CHARACTERISTICS

Glass door diameter (cms): 50
Number of programs: 16
Control panel: Electronic

CONTROL INDICATOR LIGHTS

Electronic washing management: Yes

Child lock: Yes

Bidirectional rotation: Yes

Drum light: Yes

Drum: Zincification steel

Remaining time: Yes

Drying: Yes

Dryer timer: Yes

Full water tank indicator: Yes

SPECIAL FUNCTIONS

Fast program: Yes

Economic program: Yes

Delayed Timer (h): 1-24

EQUIPMENT

Adjustable Feet Back: Yes

Adjustable feet front: Yes



TKS 850 C

ENERGY LABEL

The image shows a standard European energy label for a TEKA TKS 850 C washing machine. At the top, it features the EU flag and the word 'ENERGY' in multiple languages (English, Greek, Ukrainian, Italian). Below this, the TEKA logo and model number 'TKS 850 C' are displayed. A scale bar indicates a width of 26mm. The energy efficiency scale is shown as a series of colored arrows from A+++ (dark green) to D (red), with a black arrow pointing to 'B'. To the right of the scale, a box contains the energy consumption value '561 kWh/annum'. Below the scale, there are four icons representing different specifications: a washing machine with a clock icon for '140 min/cycle*', a t-shirt icon for '8,0 kg', and a speaker icon for '69 dB'. At the bottom left, there is a water tap icon with the text 'ABCDEFG' and a small '392/2012' reference number. At the bottom right, there is a small footnote in multiple languages: '*урокон - cyklus - partion - zykhus - podpysyvat - ciclo - tsikkeli - shpeltma - ciklus - vilkiss - cikis - dikk - cyklus - cykli - cicla - program - torkomgeng'.

ENERGIA - ΕΝΕΡΓΙΑ - ЕНЕРГІЯ - ENERGIE
ENERGIJA - ENERGY - ENERGIE
ENERGI

561
kWh/annum

140
min/cycle*

8,0
kg

69
dB

ABCDEFG

392/2012

*урокон - cyklus - partion - zykhus - podpysyvat - ciclo - tsikkeli - shpeltma - ciklus - vilkiss - cikis - dikk - cyklus - cykli - cicla - program - torkomgeng