



# EWH 15 VR02 Water heater with vertical installation and 15L capacity



Dry Heating Protection



Humidity Control



Overheating Protection



Slim heater

### DESCRIPTION

Water heater with vertical installation and 15L capacity

### LIFE STYLE

Easy

### COLOURS



### REFERENCE

REF. 42080015  
EAN. 8421152127896



TEKA

**EWH 15 VR02**

## **FEATURES**

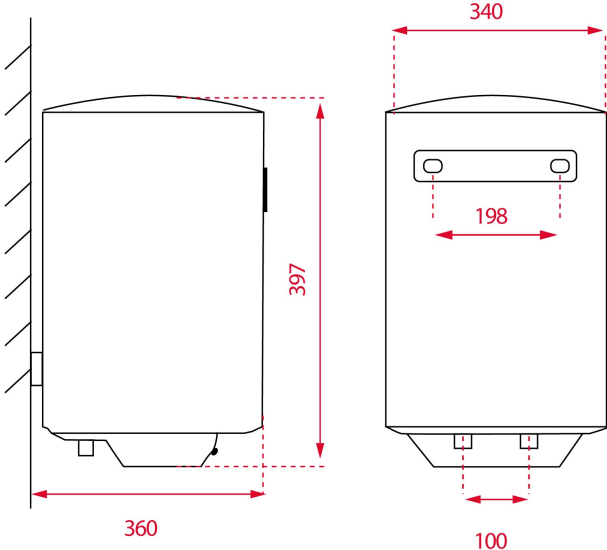
Capacity: 15 litres  
Sapphire enamelled tank  
Sapphire heating element  
Regulation of temperature: 30-75 °C  
Pressure valve > 5 bar  
Max. Input temperature: 0,75Mpa  
Thermometer  
Anti Over-pressure protection  
Overheat protection  
Anti Dry-heating Protection  
Waterproof Grade: IPX4  
Rated power output 1500 W  
Thickness of insulation: 20mm  
Water connection: G $\frac{1}{2}$   
Average number of users: 1



**EWH 15 VR02**

**DIMENSIONS**

- Product height (mm):** 397
- Product width (mm):** 340
- Product depth (mm):** 340
- Product length (mm):**
- Net weight (Kg):** 9,83





**EWH 15 VR02**

**ENERGY LABEL**

