



RFD 77820 SS EU French Door LongLife No Frost Refrigerator 190cm with 4 doors and inverter motor



Motor Inverter



On Holidays
function



Gourmet Box



IonClean
Technology



LED



LongLife No
Frost



Vitacare Box

DESCRIPTION

French Door LongLife No Frost Refrigerator 190cm with 4 doors and inverter motor

LIFE STYLE

Maestro

COLOURS

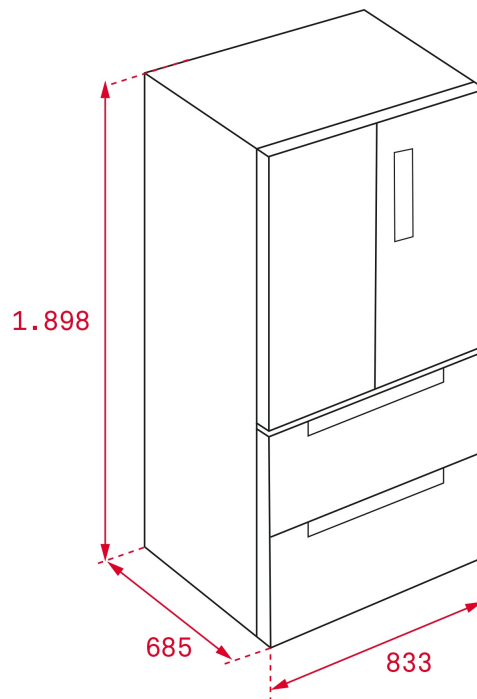


REFERENCE

REF. 113430005
EAN. 8434778001488

FEATURES

French Door Gourmet Refrigerator
Motor inverter with high efficiency compressor
IonClean technology to neutralize bacteria and bad odours
LongLife No Frost with 3 independent circuits
Touch control with independent temperature regulator
Chromed details
Gourmet Box with telescopic guides and softclose, interior light, display, and Touch control with independent temperature regulator between -2° and 3°C
2 VitaCare Box drawers with independent humidity control
Top and back LED light
TempGuard Radar technology
Interior LED light in freezer
Pull-out telescopic softclose drawer with deep tray and two special drawers for meat and fish
Pull-out telescopic softclose deep drawer with an upper tray with telescopic guides
Removable freezer drawers for easy cleaning



DIMENSIONS

Product height (mm): 1898

Product width (mm): 833

Product depth (mm): 685

Product length (mm):

Net weight (Kg): 136

TECH SPECS

FITTING MEASURES

Built-in Width (mm): 0
Built-in Depth (mm): 0
Built-in Height (mm): 1898

PRODUCT SHEET

Cooling system: LongLife No Frost
No Frost In Refrigerator Compartment: Yes
No Frost in chiller: Yes
No Frost in freezer compartment: Yes
Total gross capacity (litres): 582
Refrigerator compartment capacity (litres): 304
Chilling Compartment Capacity (litres): 31
Freezer compartment capacity (litres): 165
Freezer classification: 4
Freezing capacity: 13,0
Annual Consumption (kWh/year): 333
Temperature Rise Time (h): 15
Climate class: N/T
Noise level (dB): 41
Certificates: CB/DE

POWER SUPPLY

Frequency (Hz): 50
Power rate (V): 230
Power rate (W): 250
Defrost element power (W): 250
Energy consumption (kw/day): 0,915
Cable Connection Length (cm): 1750

PARTICULAR CHARACTERISTICS

Type of installation: Free standing
Automatic defrosting in the refrigeration compartment: Yes
Automatic defrosting in the freezer compartment: Yes
Electronic adjustable thermostat: Yes
Display on door: Yes
Fingerprint proof door: Yes
Antibacterial treatment: IonClean
Freezing set button: Yes
Cooling set button: Yes
Lock function: Yes
Fast freezing: Yes
Fast Cooling Function: Yes
On Holidays Function: Yes
Inner light: Yes
Type of inner light: LED
Integrated handle: Yes

CONTROL INDICATOR LIGHTS

Operating light fridge: Yes
Operating light freezer: Yes
Freezer compartment temperature display: Yes
Fast freezing indicator: Yes
Acoustic alarm: Yes
Visual alarm: Yes

EQUIPMENT

Antibacterial gasket: Yes
Multipurpose compartment: NO
Ice cubes tray: 1
Bottle rack type: CHROMED
Dairy covered compartment: Yes
Adjustable feet front: Yes
Roller (rear): Yes
Refrigerator adjustable shelves: Yes
Vegetable drawers: 2
Temperature and humidity regulation in drawers: VitaCare Box

PRODUCT INFORMATION SHEET (UE) 2019/2016

Supplier name or trademark: TEKA
Supplier's address: C/Cajo, 17, 39011, Santander , Spain
Model identifier: RFD 77820 SS EU

Type of refrigerating appliance

Low-noise appliance: 0
Design type: Free standing
Wine storage appliance: 0
Other refrigerating appliance: 1

Overall dimensions (mm)

Height: 1898
Width: 833
Depth: 685
Total volume (dm³ or l): 535
Energy efficiency class: E
Airborne acoustical noise emissions (dB(A) re 1 pW):

Airborne acoustical noise emission class: C

Annual energy consumption (kWh/a): 314

Climate class: N/T

Minimum ambient temperature (°C), for which the refrigerating appliance is suitable:

Maximum ambient temperature (°C), for which the refrigerating appliance is suitable:

Winter setting:

Compartment 1: Fresh food

Compartment 1 - Compartment Volume (l): 348

Compartment 1 - Recommended temperature setting for optimised food storage (°C):

Compartment 1 - Freezing capacity (kg/24h): NA

Compartment 1 - Defrosting type: A

Compartment 1 - Target temperature (°C):

Compartment 1 - Thermodynamic parameter (rc): NA

Compartment 1 - Nc: NA

Compartment 1 - Mc: NA

Compartment 1 - Defrost factor (Ac): NA

Compartment 1 - Built-in factor (Bc): NA

Compartment 2: 4 STAR

Compartment 2 - Compartment Volume (l): 187

Compartment 2 - Recommended temperature setting for optimised food storage (°C):

Compartment 2 - Freezing capacity (kg/24h): 12

Compartment 2 - Defrosting type: A

Compartment 2 - Target temperature (°C):

Compartment 2 - Thermodynamic parameter (rc): NA

Compartment 2 - Nc: NA

Compartment 2 - Mc: NA

Compartment 2 - Defrost factor (Ac): NA

Compartment 2 - Built-in factor (Bc): NA

Compartment 3: NA

Compartment 3 - Compartment Volume (l): NA

Compartment 3 - Recommended temperature setting for optimised food storage (°C):

Compartment 3 - Freezing capacity (kg/24h): NA

Compartment 3 - Defrosting type: NA

Compartment 3 - Target temperature (°C):

Compartment 3 - Thermodynamic parameter (rc): NA

Compartment 3 - Nc: NA

Compartment 3 - Mc: NA

Compartment 3 - Defrost factor (Ac): NA

Compartment 3 - Built-in factor (Bc): NA

Compartment 4: NA

Compartment 4 - Compartment Volume (l): NA

Compartment 4 - Recommended temperature setting for optimised food storage (°C):

Compartment 4 - Freezing capacity (kg/24h): NA

Compartment 4 - Defrosting type: NA

Compartment 4 - Target temperature (°C):

Compartment 4 - Thermodynamic parameter (rc): NA

Compartment 4 - Nc: NA

Compartment 4 - Mc: NA

Compartment 4 - Defrost factor (Ac): NA

Compartment 4 - Built-in factor (Bc): NA

Compartment 5 - Type: NA

Compartment 5 - Compartment Volume (l): NA

Compartment 5 - Recommended temperature setting for optimised food storage (°C):

Compartment 5 - Freezing capacity (kg/24h): NA

Compartment 5 - Defrosting type: NA

Compartment 5 - Target temperature (°C):

Compartment 5 - Thermodynamic parameter (rc): NA

Compartment 5 - Nc: NA

Compartment 5 - Mc: NA

Compartment 5 - Defrost factor (Ac): NA

Compartment 5 - Built-in factor (Bc): NA

Light source parameters

Light source - Type of light source: LED

Light source - Energy efficiency class: NA

Minimum duration of the guarantee offered by the manufacturer (b): 2 años

Additional information:

Weblink to the manufacturer's website, where the information in point 4(a) Annex of Commission Regulation (EU) 2019/2019 (1) (b) is found:

(a) as determined in accordance with Commission Delegated Regulation (EU) 2019/2015 (2).

(b) changes to these items shall not be considered relevant for the purposes of point 4 of Article 4 of Regulation (EU) 2017/1369.

(c) if the product database automatically generates the definitive content of this cell the supplier shall not enter these data.

(1) Commission Regulation (EU) 2019/2019 of 1 October 2019 laying down ecodesign requirements for refrigerating appliances pursuant to Directive 2009/125/EC of the European Parliament and of the Council and repealing Commission Regulation (EC) No 643/2009 (see page 187 of this Official Journal).(2)

(2) Commission Delegated Regulation (EU) 2019/2015 of 11 March 2019 supplementing Regulation (EU) 2017/1369 of the European Parliament and of the Council with regard to energy labelling of light sources and repealing Commission Delegated Regulation (EU) No 874/2012 (see page 68 of this Official Journal).



RFD 77820 SS EU

ENERGY LABEL

