



RLF 74910 EU WH Full No Frost Side By Side Refrigerator 179cm with 2 doors and Eco function



Motor Inverter



On Holidays function



Fresh Box



Full No Frost



LED

DESCRIPTION

Full No Frost Side By Side Refrigerator 179cm with 2 doors and Eco function

LIFE STYLE

Maestro

COLOURS

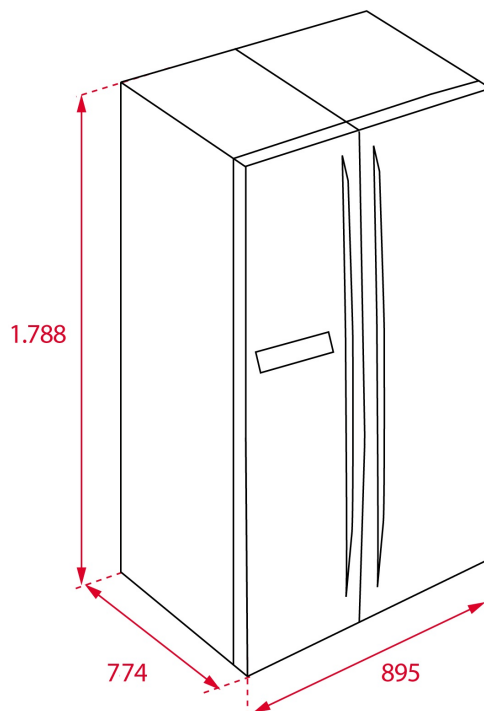


REFERENCE

REF. 113430013
EAN. 8434778003925

FEATURES

Side by Side refrigerator
Full No Frost
Electronic display with freezer and refrigerator temperature control and indicator
Eco function
On holidays function
Fast Freeze / Quick Cool function
2 FreshBox drawers
Twister Ice Maker
8 safety glass shelves with adjustable height
LED illumination
Safety lock for children
10 door balconies
External metal handle
Back wheels to move the appliance easily
Adjustable feet (front/rear)
Climate class: N/T
Total gross capacity: 587 litres
Net capacity: 335 175 litres



DIMENSIONS

Product height (mm): 1788
Product width (mm): 895
Product depth (mm): 745
Product length (mm):
Net weight (Kg): 90

TECH SPECS

FITTING MEASURES

Built-in Width (mm): 0
Built-in Depth (mm): 0
Built-in Height (mm): 0

PRODUCT SHEET

Cooling system: FULL NF
No Frost In Refrigerator Compartment: Yes
No Frost in freezer compartment: Yes
Total gross capacity (litres): 587
Refrigerator compartment capacity (litres): 335
Freezer compartment capacity (litres): 175
Freezer classification: 4
Freezing capacity: 9,0
Annual Consumption (kWh/year): 405
Temperature Rise Time (h): 10
Climate class: SN/N/ST
Noise level (dB): 41
Certificates: CE, TUV, GS

POWER SUPPLY

Frequency (Hz): 50

PARTICULAR CHARACTERISTICS

Power rate (V): 220-240
Power rate (W): 130
Defrost element power (W): 240
Energy consumption (kw/day): 1,11
Plug type: EU
Cable Connection Length (cm): 1750

Type of installation: Free standing
Automatic defrosting in the refrigeration compartment: Yes
Automatic defrosting in the freezer compartment: Yes
Electronic adjustable thermostat: Yes
Display on door: Yes
Fingerprint proof door: Yes
Antibacterial treatment: NO
Freezing set button: Yes
Cooling set button: Yes
Lock function: Yes
Fast freezing: Yes
Fast Cooling Function: Yes
On Holidays Function: Yes
Inner light: Yes
Type of inner light: LED
External handle: Yes

CONTROL INDICATOR LIGHTS

Operating light fridge: Yes
Operating light freezer: Yes
Freezer compartment temperature display: Yes
Fast freezing indicator: Yes
Acoustic alarm: Yes

EQUIPMENT

Multipurpose compartment: NO
Twister ice maker: Yes
Ice cubes tray: 2
Bottle rack type: NO
Adjustable feet front: Yes
Roller (rear): Yes
Refrigerator adjustable shelves: Yes
Vegetable drawers: 2
Temperature and humidity regulation in drawers: FRESH BOX

PRODUCT INFORMATION SHEET (UE) 2019/2016

Supplier name or trademark: TEKA
Supplier's address: C/Cajo, 17, 39011, Santander , Spain
Model identifier: RLF 74910 EU WH

Type of refrigerating appliance

Low-noise appliance: 0
Design type: Free standing
Wine storage appliance: 0
Other refrigerating appliance: 1

Overall dimensions (mm)

Height: 1765
Width: 897
Depth: 761
Total volume (dm³ or l): 532
Energy efficiency class: F
Airborne acoustical noise emission class: C
Annual energy consumption (kWh/a): 401
Climate class: SN/N/ST
Minimum ambient temperature (°C), for which the

refrigerating appliance is suitable: 10
Maximum ambient temperature (°C), for which the
refrigerating appliance is suitable: 38
Compartment 1: FRESH FOOD
Compartment 1 - Compartment Volume (l): 335
Compartment 1 - Recommended temperature setting for
optimised food storage (°C): 4
Compartment 1 - Freezing capacity (kg/24h): NA
Compartment 1 - Defrosting type: A
Compartment 1 - Target temperature (°C): NA
Compartment 1 - Thermodynamic parameter (rc): NA
Compartment 1 - Nc: NA
Compartment 1 - Mc: NA
Compartment 1 - Defrost factor (Ac): NA
Compartment 1 - Built-in factor (Bc): NA
Compartment 2: 4 STARS
Compartment 2 - Compartment Volume (l): 181
Compartment 2 - Recommended temperature setting for
optimised food storage (°C): -18
Compartment 2 - Freezing capacity (kg/24h): 10
Compartment 2 - Defrosting type: A
Compartment 2 - Target temperature (°C): NA
Compartment 2 - Thermodynamic parameter (rc): NA
Compartment 2 - Nc: NA
Compartment 2 - Mc: NA
Compartment 2 - Defrost factor (Ac): NA
Compartment 2 - Built-in factor (Bc): NA
Compartment 3: 2 STAR
Compartment 3 - Compartment Volume (l): 16
Compartment 3 - Recommended temperature setting for
optimised food storage (°C): -12
Compartment 3 - Freezing capacity (kg/24h): NA
Compartment 3 - Defrosting type: A
Compartment 3 - Target temperature (°C): NA
Compartment 3 - Thermodynamic parameter (rc): NA
Compartment 3 - Nc: NA
Compartment 3 - Mc: NA
Compartment 3 - Defrost factor (Ac): NA
Compartment 3 - Built-in factor (Bc): NA
Compartment 4: NA
Compartment 4 - Compartment Volume (l): NA
Compartment 4 - Recommended temperature setting for
optimised food storage (°C): NA
Compartment 4 - Freezing capacity (kg/24h): NA
Compartment 4 - Defrosting type: NA
Compartment 4 - Target temperature (°C): NA
Compartment 4 - Thermodynamic parameter (rc): NA
Compartment 4 - Nc: NA
Compartment 4 - Mc: NA
Compartment 4 - Defrost factor (Ac): NA
Compartment 4 - Built-in factor (Bc): NA
Compartment 5 - Type: NA
Compartment 5 - Compartment Volume (l): NA
Compartment 5 - Recommended temperature setting for
optimised food storage (°C): NA
Compartment 5 - Freezing capacity (kg/24h): NA
Compartment 5 - Defrosting type: NA
Compartment 5 - Target temperature (°C): NA
Compartment 5 - Thermodynamic parameter (rc): NA
Compartment 5 - Nc: NA
Compartment 5 - Mc: NA
Compartment 5 - Defrost factor (Ac): NA
Compartment 5 - Built-in factor (Bc): NA

Light source parameters

Light source - Type of light source: LED
Light source - Energy efficiency class: G

Minimum duration of the guarantee offered by the manufacturer (b): 24 months

Light source parameters

Light source - Type of light source: LED

Light source - Energy efficiency class: G

Minimum duration of the guarantee offered by the manufacturer (Years) (b): 24 months

Additional information:

Weblink to the manufacturer's website, where the information in point 4(a) Annex of Commission Regulation (EU) 2019/2019 (1) (b) is found:
(a) as determined in accordance with Commission Delegated Regulation (EU) 2019/2015 (2).

(b) changes to these items shall not be considered relevant for the purposes of point 4 of Article 4 of Regulation (EU) 2017/1369.

(c) if the product database automatically generates the definitive content of this cell the supplier shall not enter these data.

(1) Commission Regulation (EU) 2019/2019 of 1 October 2019 laying down ecodesign requirements for refrigerating appliances pursuant to Directive 2009/125/EC of the European Parliament and of the Council and repealing Commission Regulation (EC) No 643/2009 (see page 187 of this Official Journal).(2)

(2) Commission Delegated Regulation (EU) 2019/2015 of 11 March 2019 supplementing Regulation (EU) 2017/1369 of the European Parliament and of the Council with regard to energy labelling of light sources and repealing Commission Delegated Regulation (EU) No 874/2012 (see page 68 of this Official Journal).



RLF 74910 EU WH

ENERGY LABEL

