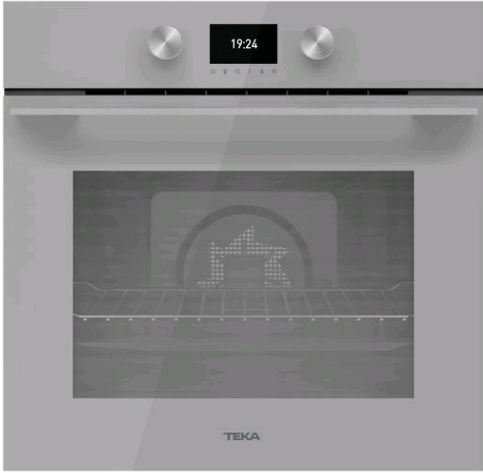




# HLB 8600 SM A+ Multifunction Oven with 20 recipes



70L



A Energy Class



Plus Extension  
Telescopic  
Guide



HydroClean



SoftClose



SurroundTemp

## DESCRIPTION

A+ Multifunction Oven with 20 recipes

## LIFE STYLE

Maestro

## COLOURS



## REFERENCE

REF. 111000013  
EAN. 8434778008296

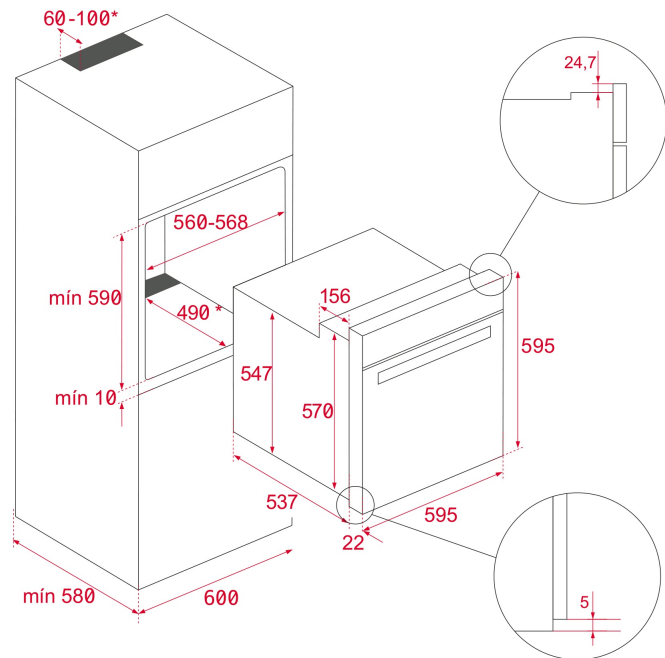


**TEKA**

**HLB 8600 SM**

**FEATURES**

Urban Colors Edition  
Multifunction SurroundTemp - 12 Cooking functions  
Teka HydroClean®PRO cleaning system  
A+ Energy class: up to 20% less consumption  
Capacity, gross/net: 71/70 litres  
True colour TFT 4 display with digital timer  
Personal cooking assistant (20 recipes)  
SlowCook function: low temperature cooking  
Automatic temperature and time suggestion for each function  
Quick heating  
Children safety block  
Automatic disconnection security system  
Triple glazed door  
SoftClose system  
1 Plus-Extension telescopic guide, 5 cooking levels  
Deep enamelled tray and reinforced grid  
Tangential ventilation



## DIMENSIONS

Product height (mm): 595

Product width (mm): 595

Product depth (mm): 537+22

Product length (mm):

Net weight (Kg): 31

## TECH SPECS

### PARTICULAR CHARACTERISTICS

**Certificates:** N / CE / CCA / CB/GMARK/ JAS-ANZ/SASO

**Number of cavities:** 1

**Type of inner light:** Halogen

**Inside light position:** Right top corner

**Enamelled cavity:** Yes

**Function selector:** ELECTRONIC

**Number of cooking functions:** 12

**Number of recipes:** 20

**Grill function:** Yes

**MaxiGrill function:** Yes

**Bottom function:** Yes

**Turbo function:** Yes

**ECO function:** Yes

**Ferment function:** Yes

**Automatic quick heating:** Yes

**Slow Cook:** Yes

**Touch Control Programmer:** Yes

**Knobs type:** MMX FIX ROTATIVE

**Removable chromed tray guides:** Yes

**Number of guide levels:** 5

**Easy slide telescopic guides:** Yes

**Drop-down grill:** Yes

## **ELECTRIC CONNECTION**

**Forced refrigeration tangential 1 speed:** Yes  
**SoftClose:** Yes

**Maximum Nominal Power (W):** 3215  
**Frequency (Hz):** 50/60  
**Power rate (V):** 220-240  
**Cable Connection Length (cm):** 150  
**Plug:** Yes  
**Inside light Consumption (W):** 25

## **ENERGY CONSUMPTION**

**Energy consumption per cycle in conventional mode (kWh):**  
0.83  
**Energy consumption per cycle in fan-forced convection mode (kWh):** 0,68  
**Bottom Heating Element (W):** 1150  
**Grill (W):** 1400  
**Maxi Grill (W):** 2500  
**Traditional (W):** 2550  
**Turbo (W):** 2000  
**Multifunction Turbo (W):** 22  
**Cooling Fan Motor (W):** 18

## **SECURITY SYSTEM**

**Automatic disconnection when opening the door:** Yes  
**Panel blocking system:** Yes  
**Children safety block option:** Yes  
**Grill protection:** Yes  
**Anti-tip tray system:** Yes  
**Safety Thermostat:** Yes  
**Full glazed doors:** 3

## **CLEANING SYSTEM**

**Crystal Clean Enamel (Slippery):** Yes  
**Hydroclean PRO:** Yes

## **ACCESSORIES**

**Deep Tray (50 mm):** Yes  
**Number of deep trays:** 1  
**Steak tray:** 0  
**Reinforced grid:** Yes

## **ENERGY EFFICIENCY**

**Energy Efficiency Class:** A+  
**Energy Efficiency Index (EEI):** 81



HLB 8600 SM

ENERGY LABEL

The energy label for the TEKA HLB 8600 SM is a vertical rectangular sticker with a blue border. At the top left is the European Union flag. To its right, the word "ENERG" is written in large blue letters, with "енергия" (energy) and "енергiя" (energy) in smaller text below it. Further right are four circular icons: "Y U/A", "IE IA", and two others. Below this, the TEKA logo is on the left and the model number "HLB 8600" is on the right. A central graphic shows a vertical scale of energy efficiency classes from A+++ (green) at the top to D (red) at the bottom. A black arrow points to the A+ class. To the left of the scale is a small icon of a washing machine. Below the scale, there are two boxes: the first shows a washing machine icon and "70L"; the second shows a washing machine icon and "0.83 kWh/cycle\*". Below these boxes, there is a small text line in multiple languages and the date "65/2014".