



# CNL 6415 60cm Pull-out Hood with ECOPOWER motor and and 2+1 speeds



LED



Stop Delay  
Timer

**DESCRIPTION**

60cm Pull-out Hood with ECOPOWER motor and and 2+1 speeds

**LIFE STYLE**

Total

**COLOURS**

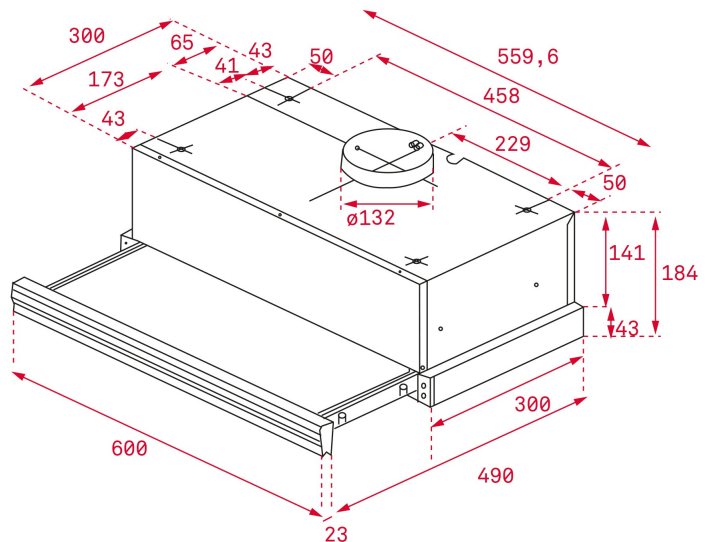


**REFERENCE**

REF. 40436810  
EAN. 8421152146170

**FEATURES**

Pull-out hood  
Electronic control  
2 speeds + 1 intensive  
Free Outlet exhaust capacity (m<sup>3</sup>/h): 393  
Intensive speed exhaust capacity (m<sup>3</sup>/h): 385  
Max speed exhaust capacity (m<sup>3</sup>/h): 312  
Min speed exhaust capacity (m<sup>3</sup>/h): 226  
Intensive speed sound level (dBA): 69  
Max speed sound level (dBA): 64  
Min speed sound level (dBA): 57  
2 LED lamps  
2 Stainless Steel filter  
Stop delay timer  
Fingerprint proof front panel  
Exchangeable Front Panel  
Anti-return valve included  
Optional Charcoal Filter: CNL 1C



## DIMENSIONS

**Product height (mm):** 184

**Product width (mm):** 600

**Product depth (mm):** 300/490

**Product length (mm):**

**Net weight (Kg):** 7,1

## TECH SPECS

### FEATURES

**Certificates:** CE; CB; Rohs  
**Ø Outlet (mm):** 120  
**Type of inner light:** LED  
**Inside light Consumption (W):** 1,5  
**Plug type:** European plug  
**Power rate (V):** 230  
**Frequency (Hz):** 50  
**Total hood power (W):** 113  
**Number of motors:** 1  
**Motor power (W):** 110  
**Air flow (Qmin) m<sup>3</sup>/h:** 226  
**Air flow (Qmax):** 312  
**Air flow (Qboost):** 385

### ACCESSORIES

**Anti Return valve:** Yes  
**Outlet extension:** No  
**Optional Charcoal Filter:** CNL 1C

### MODELS

**Number of filters:** 2

**Filter description:** Stainless Steel filters

**Control panel:** Electronic soft buttons

**Stop delay timer:** Yes

**Automatic lighting:** Yes

**Number of speeds:** 2+1

**Fingerprint proof front panel:** Yes



CNL 6415

ENERGY LABEL

